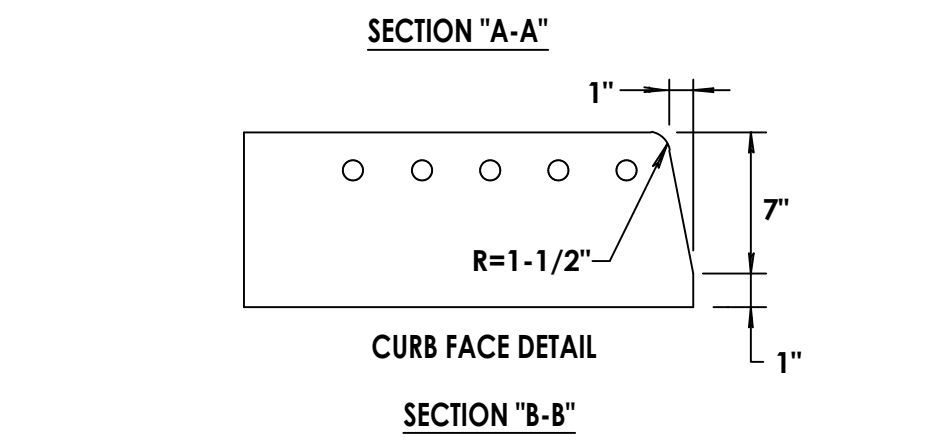
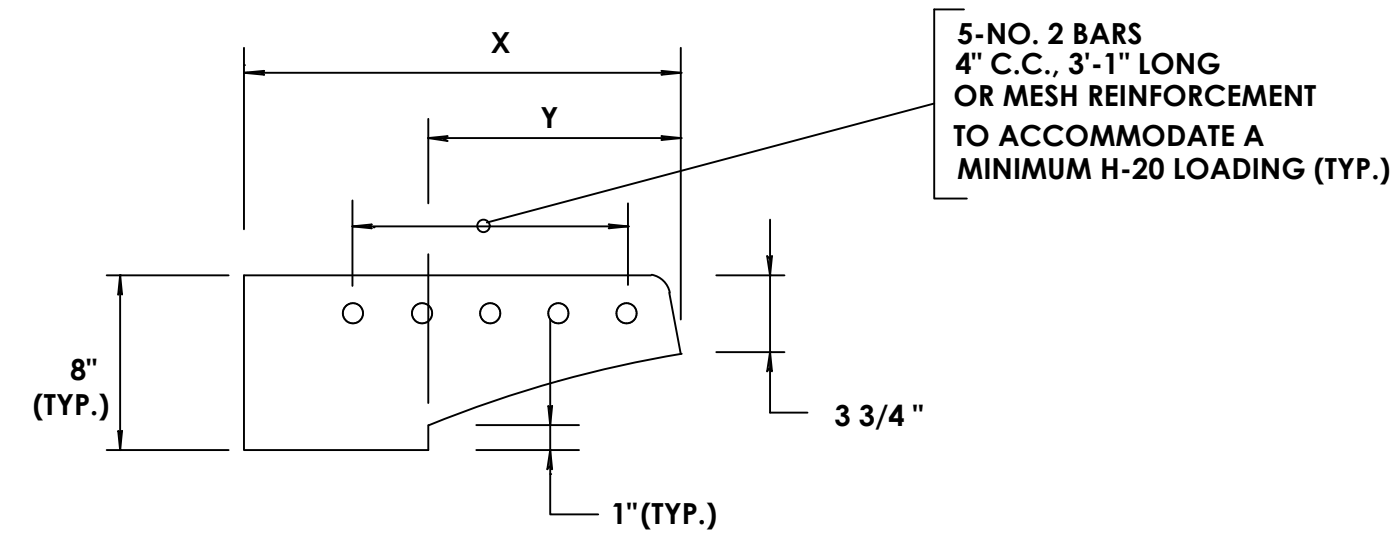
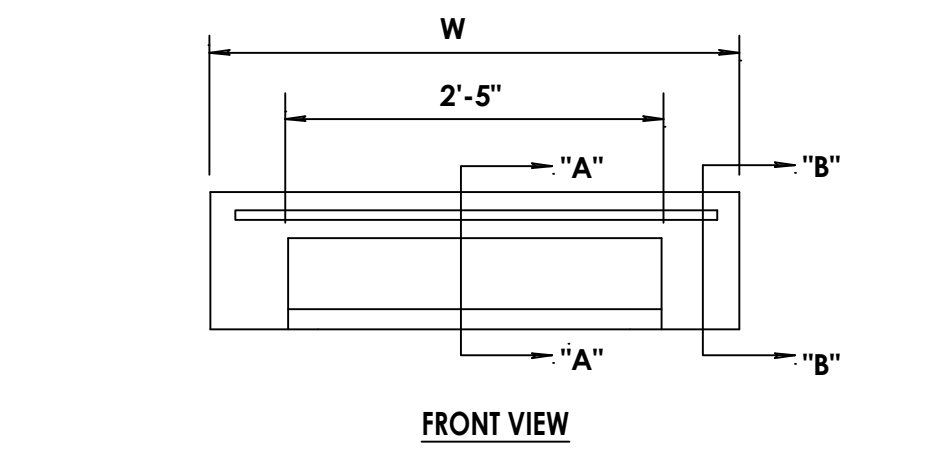
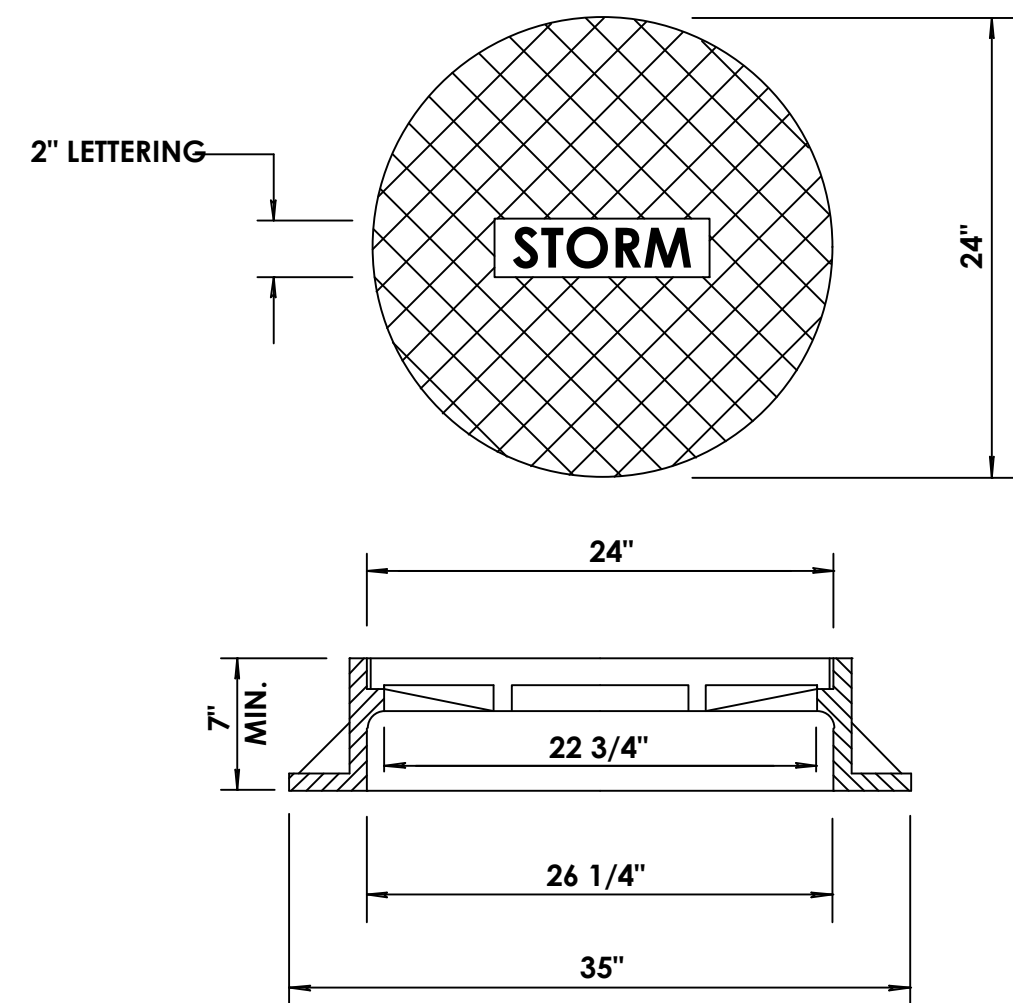


DIMENSION	W	X	Y
SIZE A COVER	3'-5"	1'-11"	1'-1 1/2"
SIZE B COVER	3'-5"	2'-4"	1'-6 1/2"
SPECIAL COVER	TBD	TBD	TBD

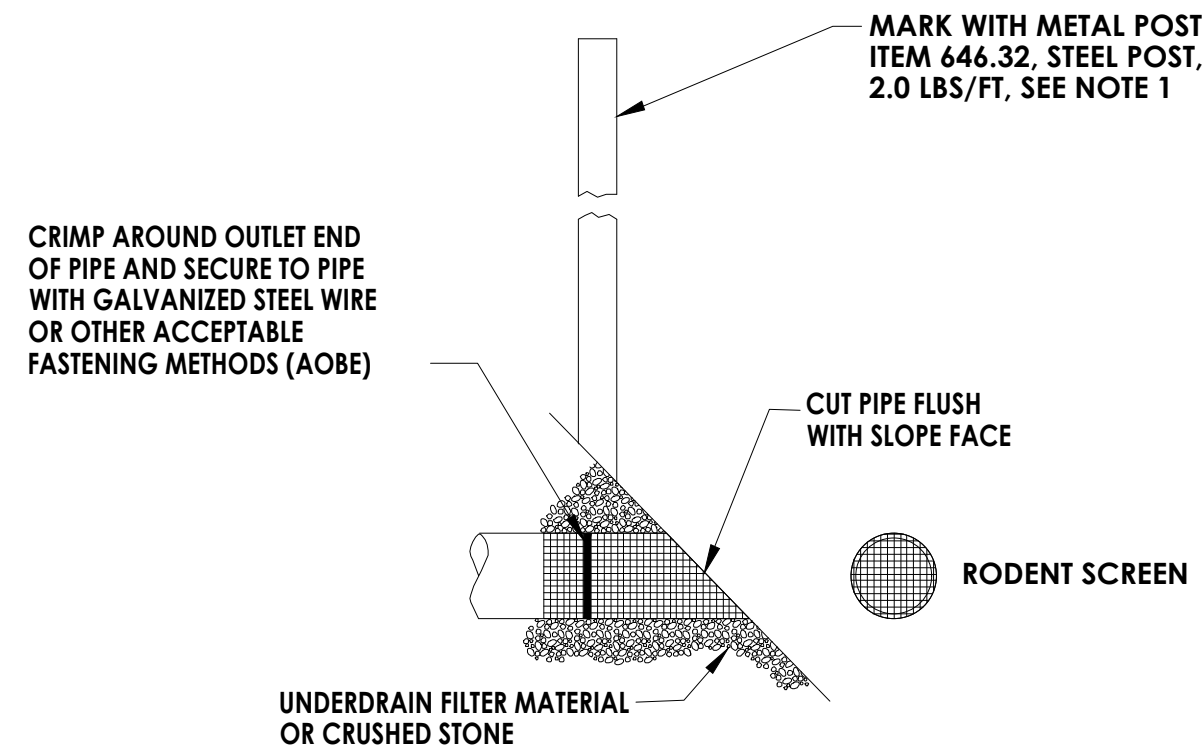


PRECAST CONCRETE COVER FOR RECESSED DROP INLETS



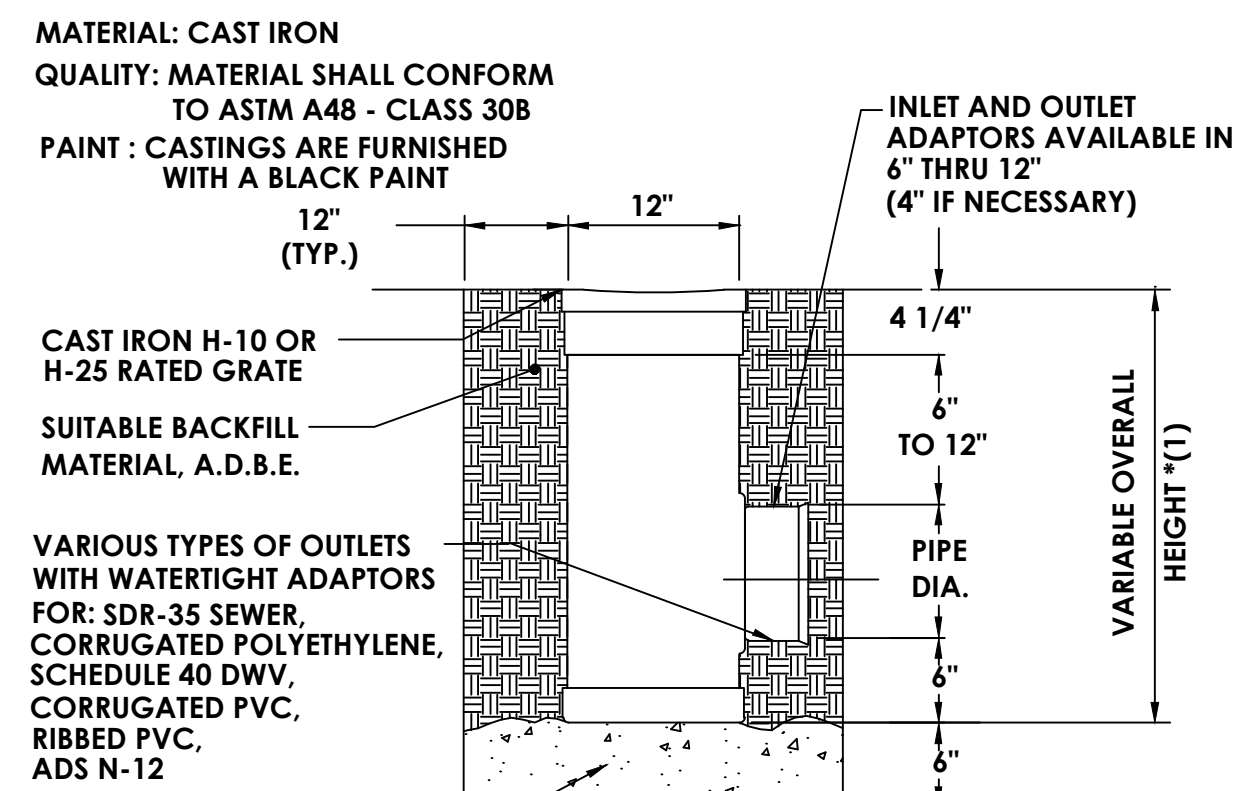
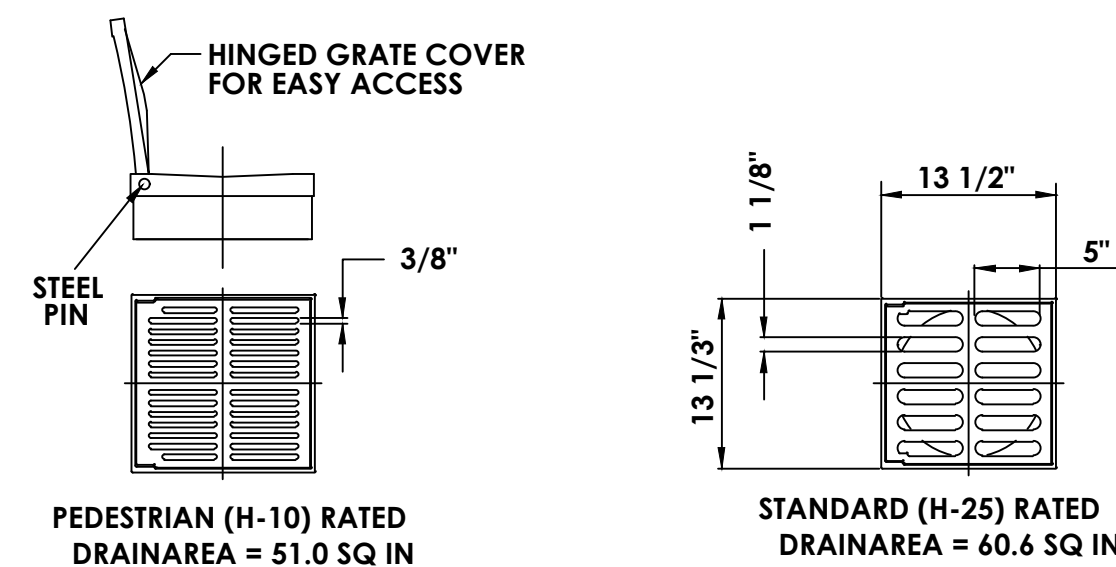
- NOTE :**
- MANHOLE FRAMES AND COVERS SHALL BE EJ CASTING NO. 1310Z FRAME W/ NO. 1310A COVER (VENTED) OR APPROVED EQUAL.
 - MANHOLE COVER HAVE THE WORD, "STORM" INCLUDED ON IT AT TIME OF DELIVERY AND INSTALLATION.

MANHOLE FRAME AND COVER

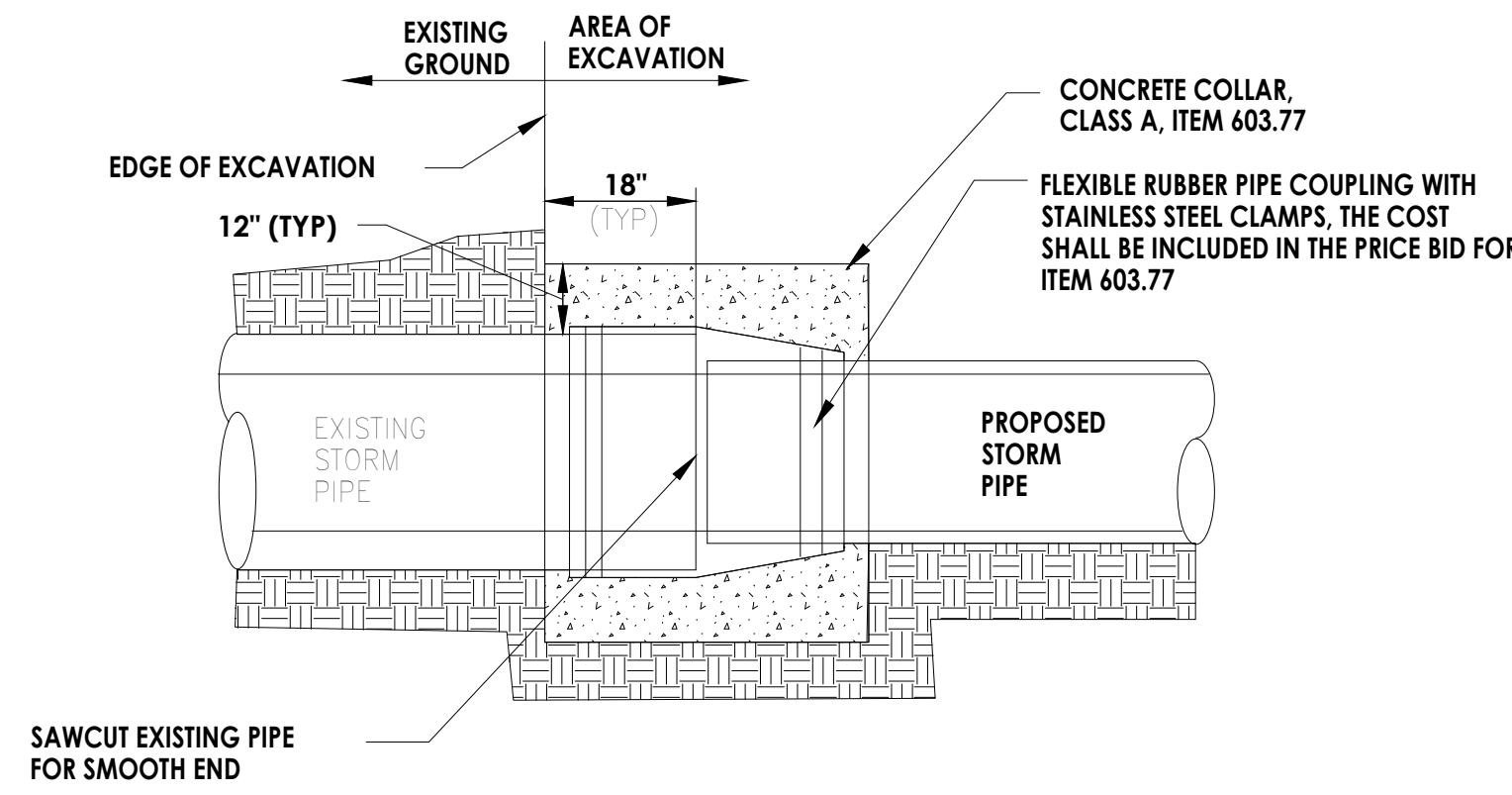


- THE METAL POST TO EXTEND 4' ABOVE THE GROUND AND TO BE DRIVEN 3' DEPTH INTO THE GROUND.
- (COST TO BE INCLUDED UNDER ITEM 605.1502 6" PERFORATED UNDERDRAIN PIPE)

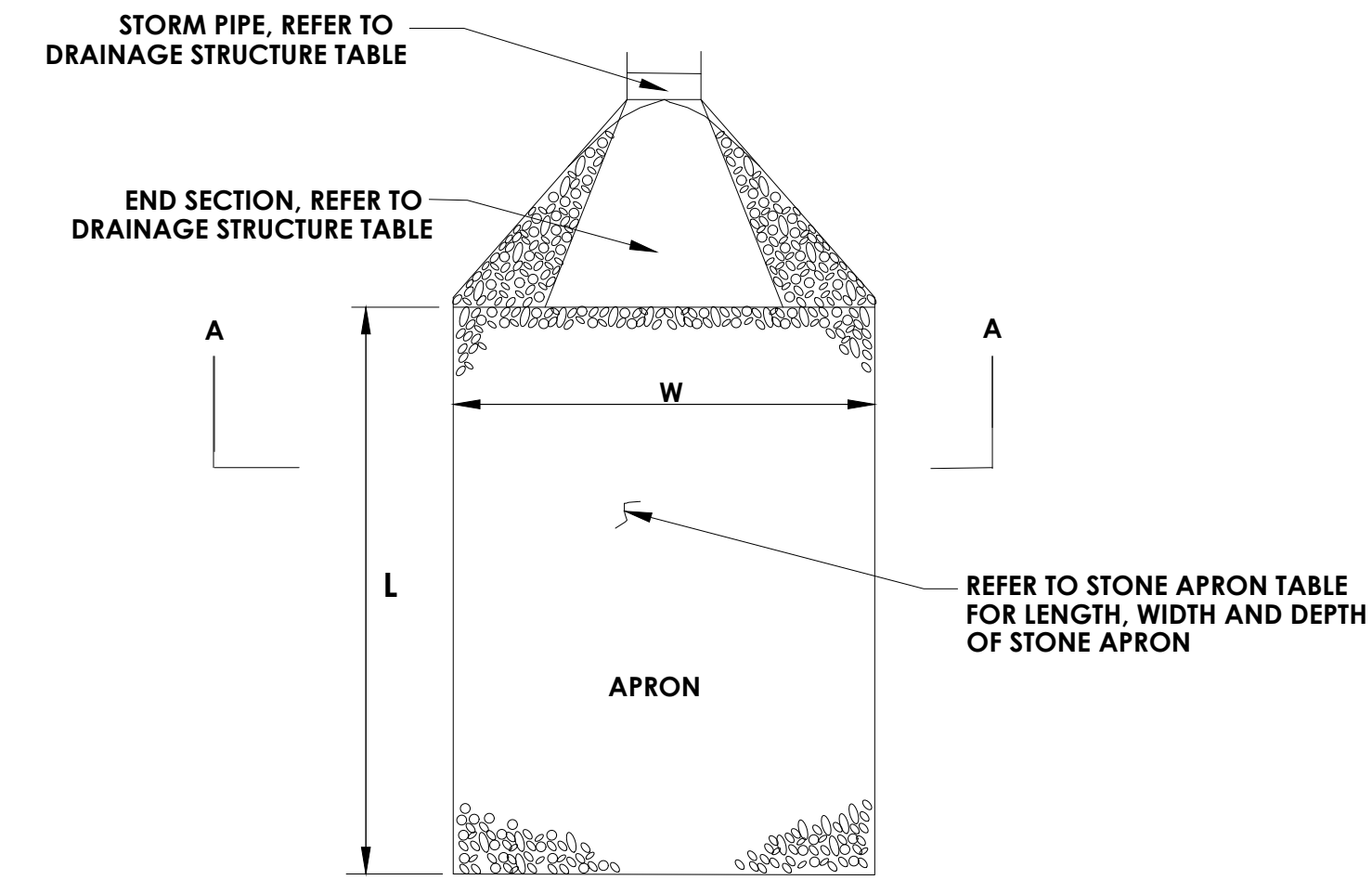
UNDERDRAIN OUTLET



* (1) MAXIMUM RECOMMENDED OVERALL HEIGHT 10'



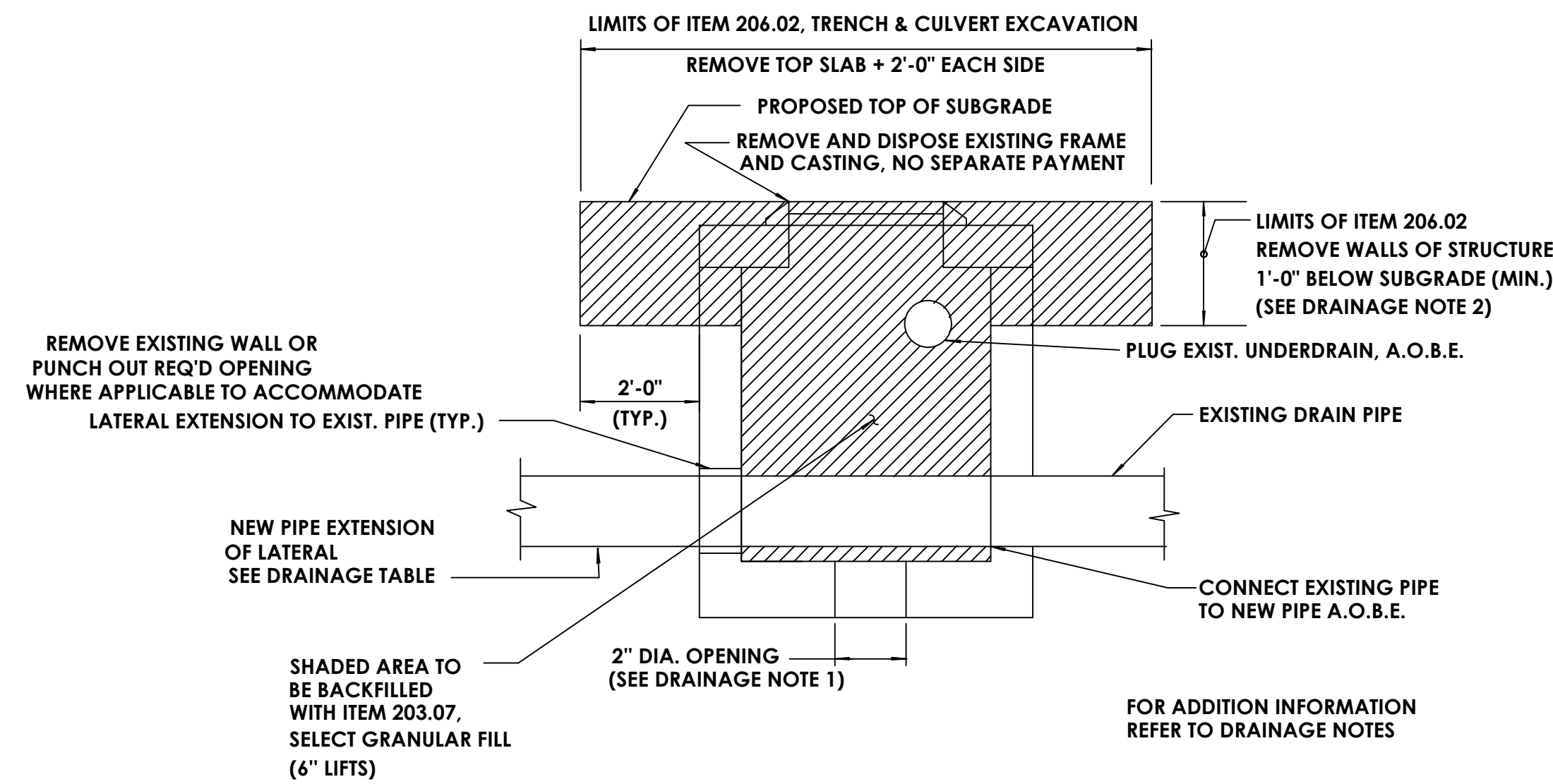
- NOTES:**
- COST OF SAWCUTTING PIPE & FURNISHING/INSTALLATION OF COUPLING & PIPE STUB CONNECTION TO BE INCLUDED IN COST FOR CONCRETE COLLAR, ITEM 603.77.



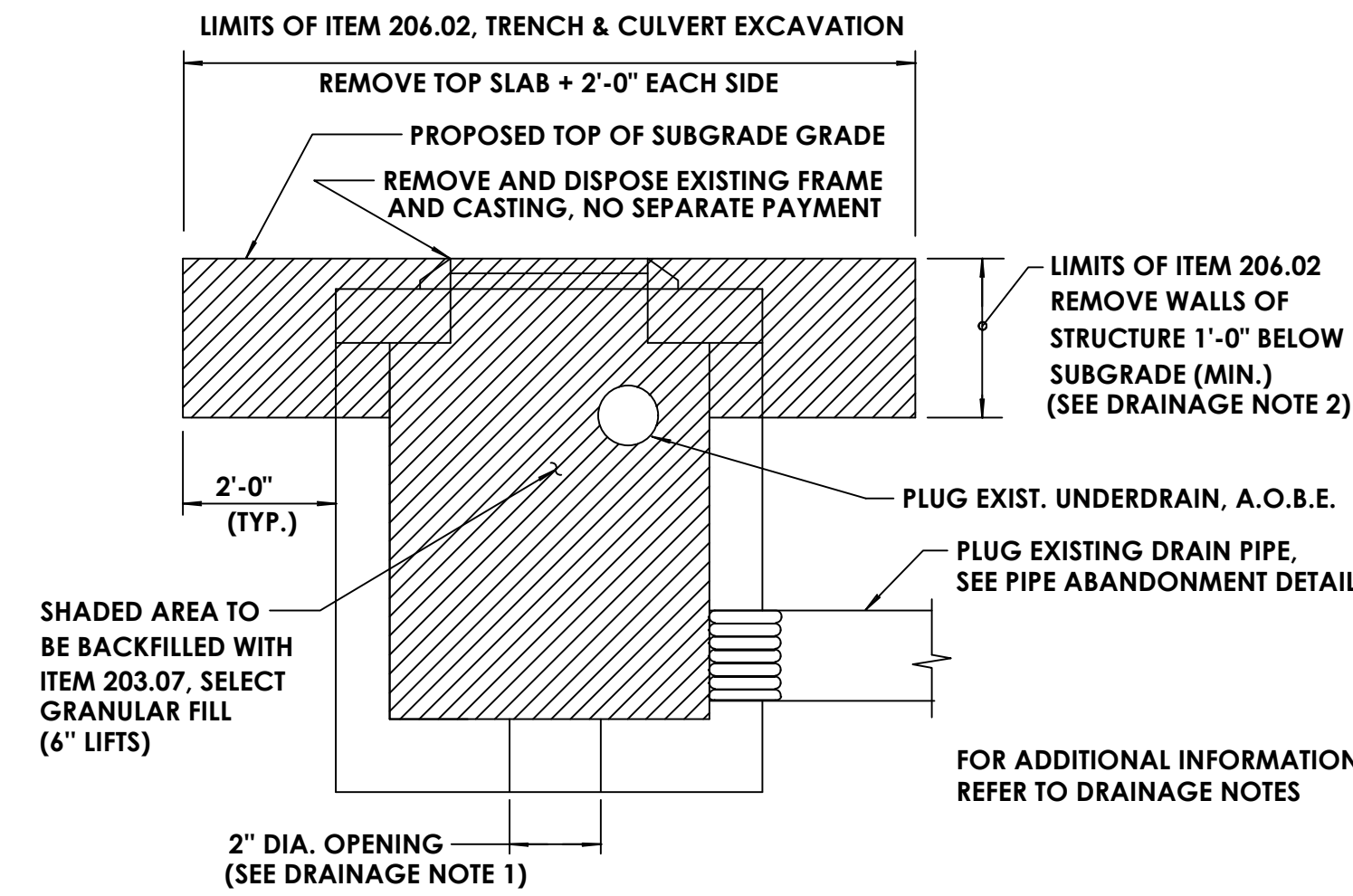
DRAINAGE NOTES

- FOR ABANDONING CATCH BASINS IN PLACE, WHEN UNSUITABLE MATERIAL IS PRESENT IN THE BASIN AS DETERMINED BY THE ENGINEER, IT SHALL BE REMOVED PRIOR TO BACKFILLING. IF NO HOLE EXISTS IN THE BOTTOM OF THE BASIN, A 2" DIA. HOLE SHALL BE DRILLED. THIS WORK WILL BE PAID FOR UNDER VARIOUS DRAINAGE ITEMS.
- WHERE BASINS ARE TO BE "REMOVED", THE LIMITS OF ITEM 206.02 SHALL EXTEND TO THE BOTTOM OF THE BASIN AND 2' BEYOND THE WALLS. WHEN REMOVAL IS SHOWN DUE TO CONFLICT WITH NEW DRAINAGE STRUCTURE, IT NEED ONLY BE REMOVED TO THE DEPTH OF THE STRUCTURE, THE REMAINDER WILL BE PAID ONLY ONCE FOR THE EXISTING OR PROPOSED STRUCTURE, WHICHEVER IS GREATER, EXCAVATION OR BACKFILL.
- DRILL AND GROUT #16 BAR DOWELS, 3 PER SIDE MINIMUM, WITH 6" MINIMUM EMBEDMENT INTO OLD AND NEW CONCRETE. ALL EXISTING CONCRETE SURFACES THAT WILL BE IN CONTACT WITH NEW CONCRETE SHALL BE COATED WITH EPOXY POLYSULFIDE GROUT PER NYSOT STANDARD SPECIFICATIONS SECTION 721-03. LATEST REVISION. THE COST OF THIS WORK SHALL BE INCLUDED IN THE PRICE BID FOR ITEM 604.07XXYY.
- REPLACE PAVEMENT IN KIND WITH WHAT IS EXISTING, UNLESS CONDITIONS EXIST WHERE THAT IS NOT FEASIBLE, THEN INSTALL SECTION AS APPROVED BY THE DEPARTMENT'S ENGINEER OR HIGHWAY MAINTENANCE MANAGER. THE MINIMUM APPROVABLE SECTION SHALL BE 12" OF ITEM 304.12 - TYPE 2 SUBBASE 6" OF ASPHALT CONCRETE - TYPE 1 BASE COURSE, 2" OF TYPE 3 BINDER AND 1-1/2" OF ITEM TYPE 7F2 TOP (ALL ASPHALT MATERIAL SHALL MEET THE LATEST NYSOT SPECIFICATIONS FOR SECTION 402).
- 6" OF STONE BEDDING, CONSISTING OF A BLENDING OF #1 AND #2 STONE, IS REQUIRED FOR SANITARY AND STORM SEWER INSTALLATIONS WITH CRUSHED STONE HAUNCHING TO A MINIMUM OF ONE-HALF OF THE PIPE DIAMETER ON THE SIDE OF THE PIPE. PAYMENT TO BE INCLUDED UNDER VARIOUS PIPE ITEMS.
- REMOVE EXISTING PAVEMENT AND PAVEMENT BASE UNDER ITEM 203.02.
- ALL SAW CUTS OF EXISTING PAVEMENT ARE TO BE TACK COATED PRIOR TO RESURFACING. TOP SEAM TO BE CAPPED WITH BITUMINOUS SEALER AFTER TOP COURSE IS PLACED.

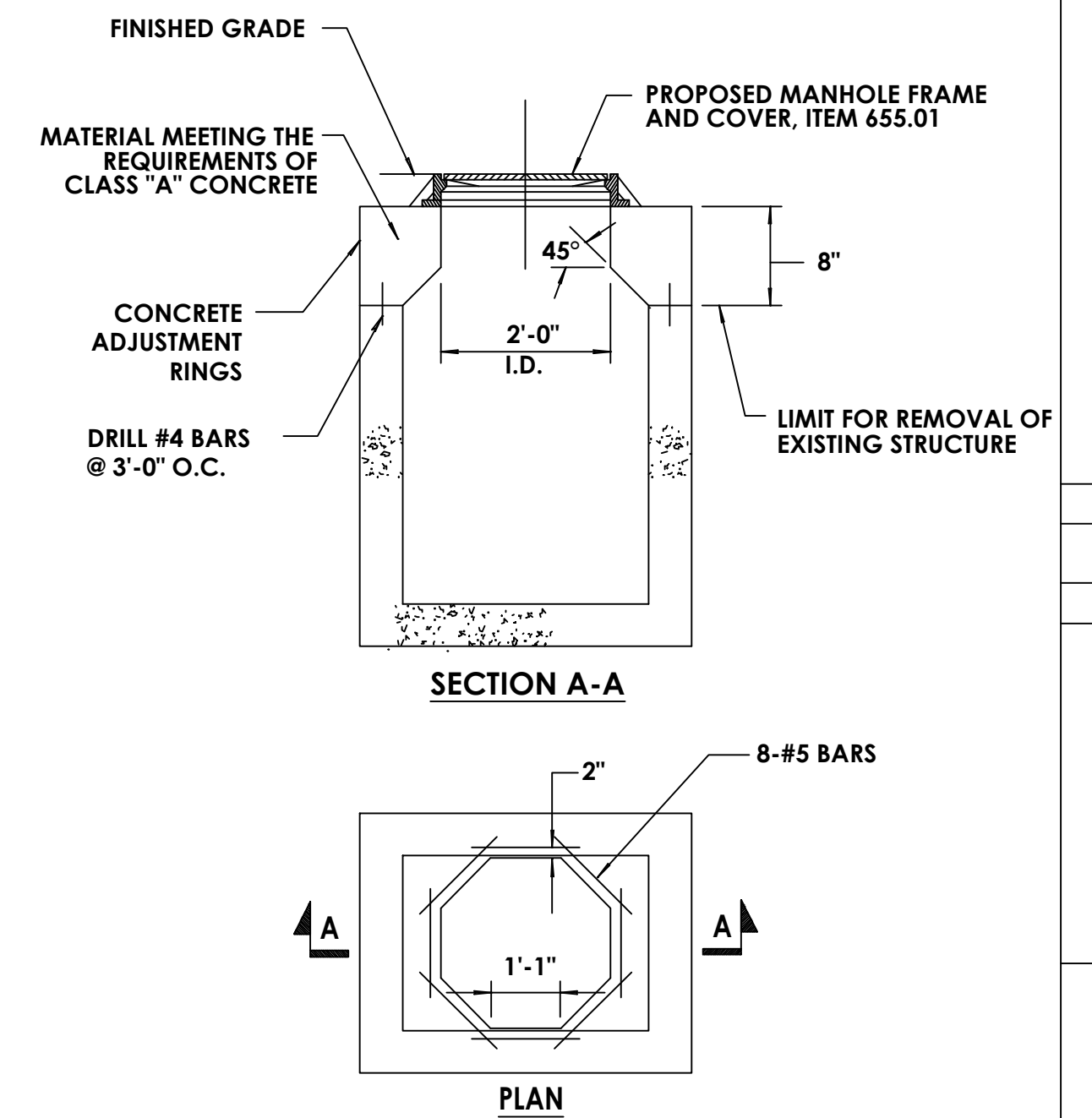
PROJECT NAME	COUNTY ROAD #
PROJECT LIMITS	
TOWN	
CAPITAL PROJECT NO.	
XXXX.XX	
CONSULTANT	DEPARTMENT OF TRANSPORTATION
Address: Rochester, New York XXXX	50 WEST MAIN STREET, SUITE 6100
Phone: (585) 867-5309	ROCHESTER, NEW YORK 14614-1231
Fax: (585) 867-5309	UNAUTHORIZED ALTERATION OR ADDITION TO THIS DRAWING IS A VIOLATION OF THE NEW YORK STATE EDUCATION LAW ARTICLE 145, SECTION 7209
PROJECT MANAGER:	MANAGER
DRAWN BY:	DRAFTER
NO. DATE BY:	
REVISION	
DRAINAGE	
SCALE: NOT TO SCALE	
DATE ISSUED: DATE	
DRAWING NO.	
1 OF XX	



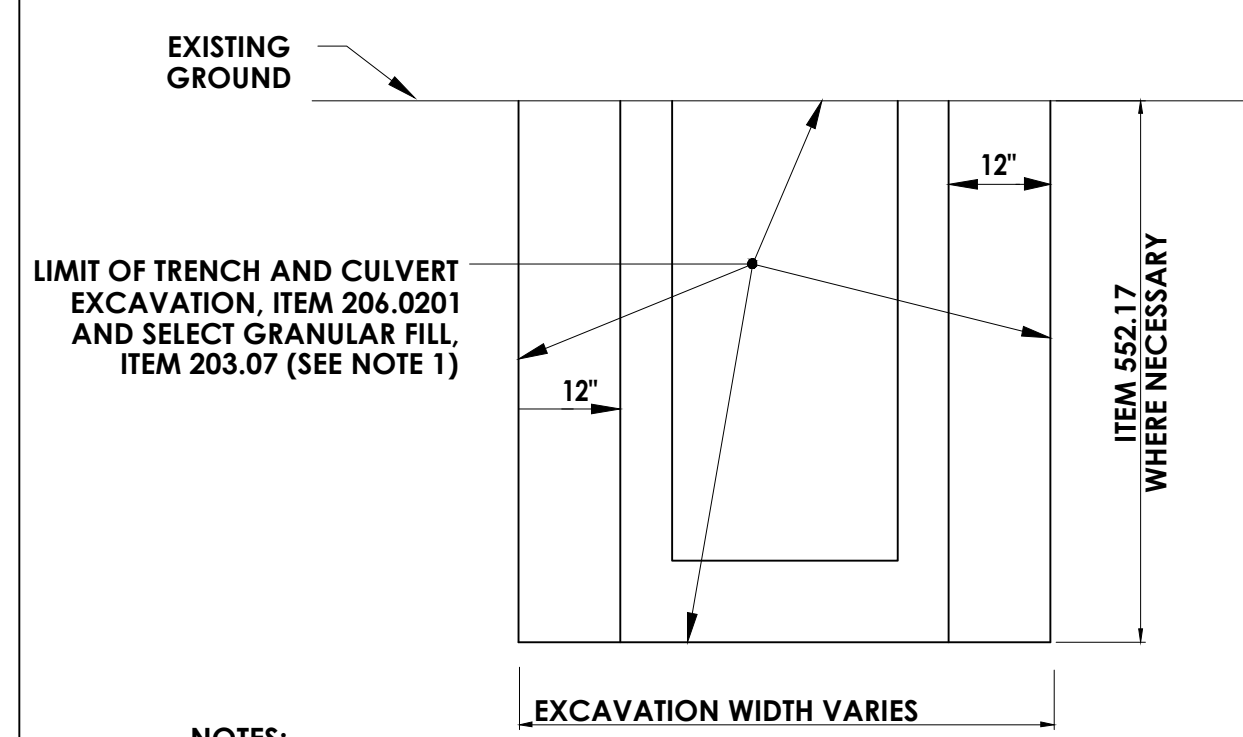
ABANDON EXISTING DRAINAGE STRUCTURE IN PLACE PIPE THRU



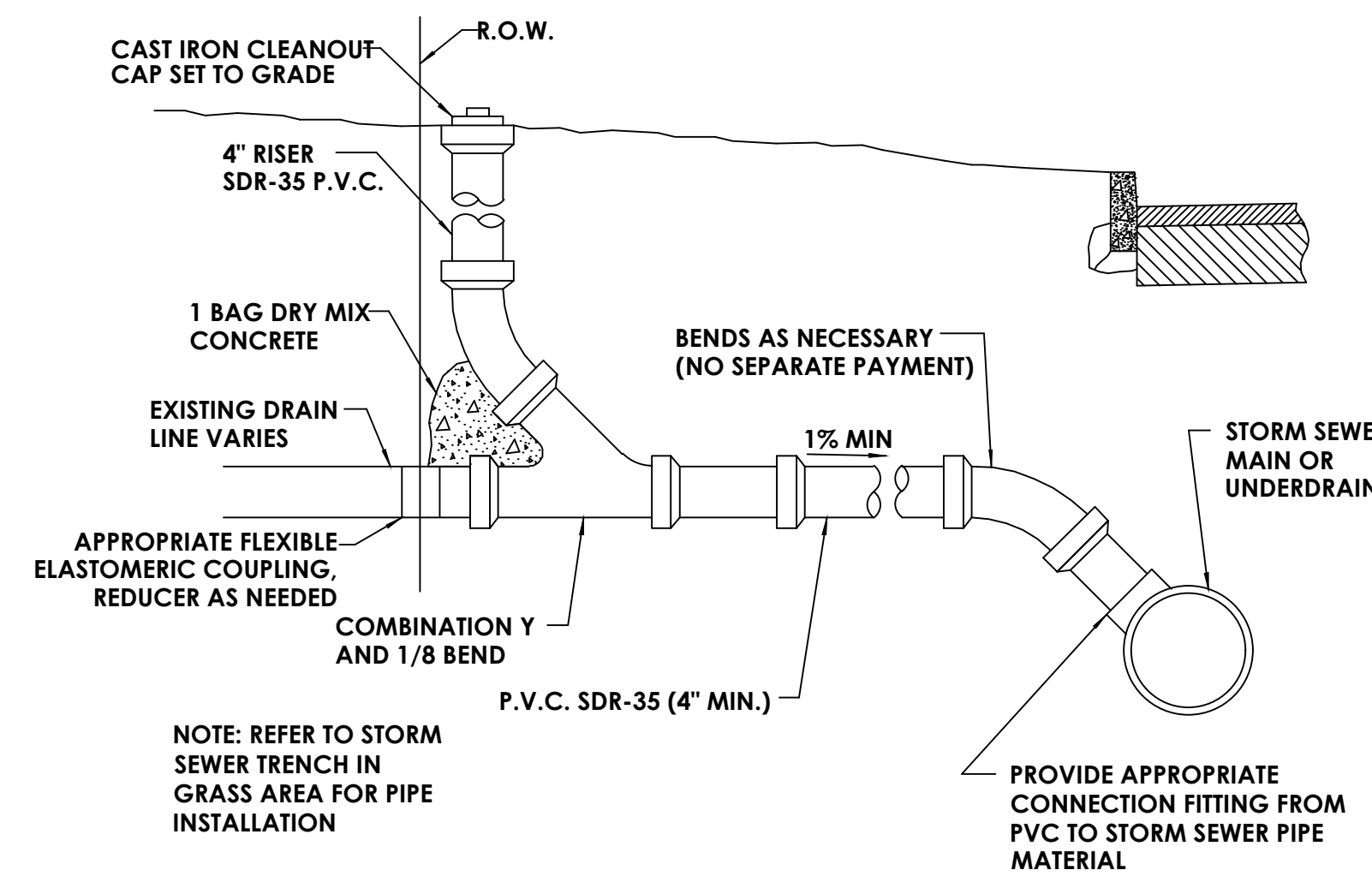
ABANDON EXISTING DRAINAGE STRUCTURE IN PLACE-PLUG



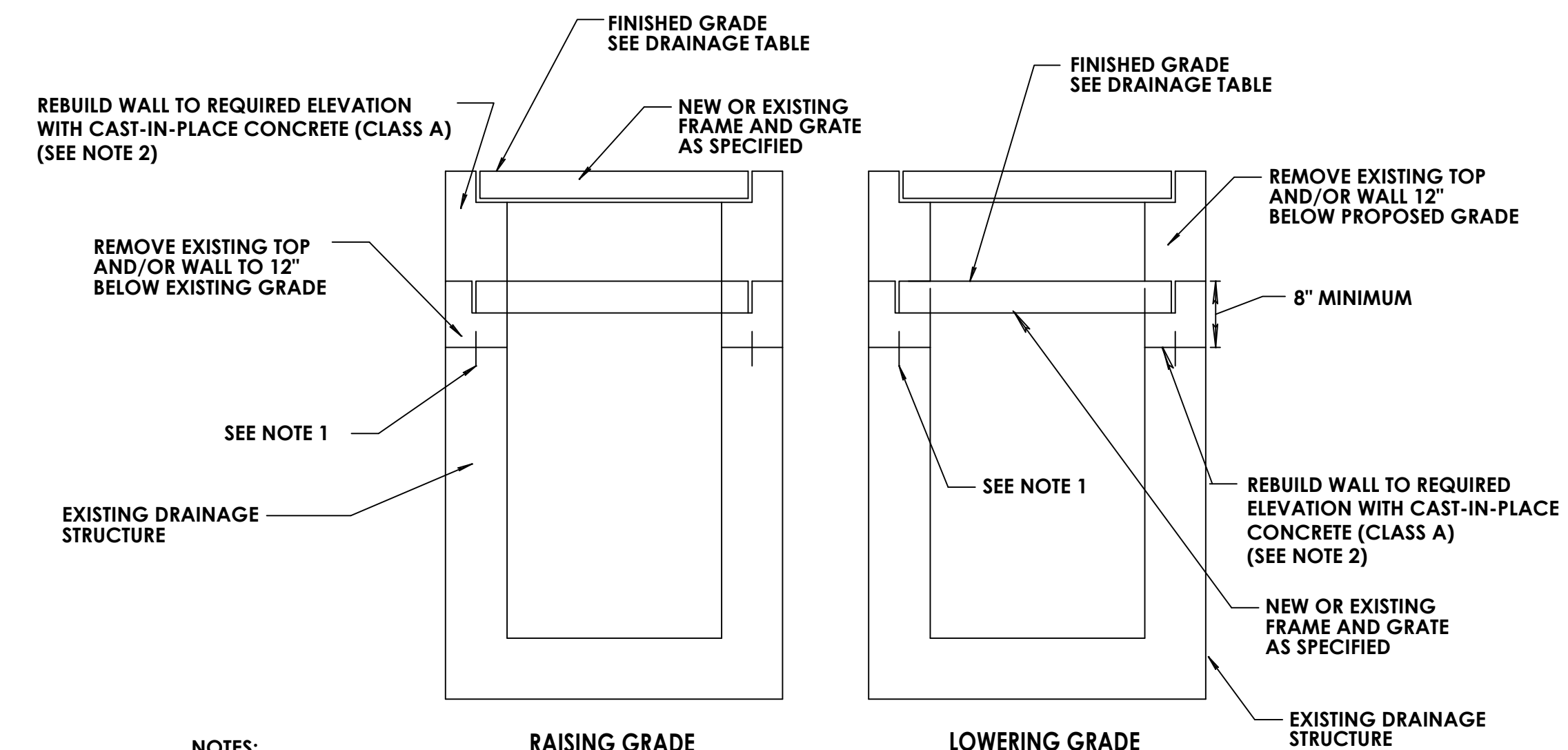
ALTER EXISTING D.I. TO TYPE 'A' MANHOLE



REMOVAL OF EXISTING DRAINAGE STRUCTURES

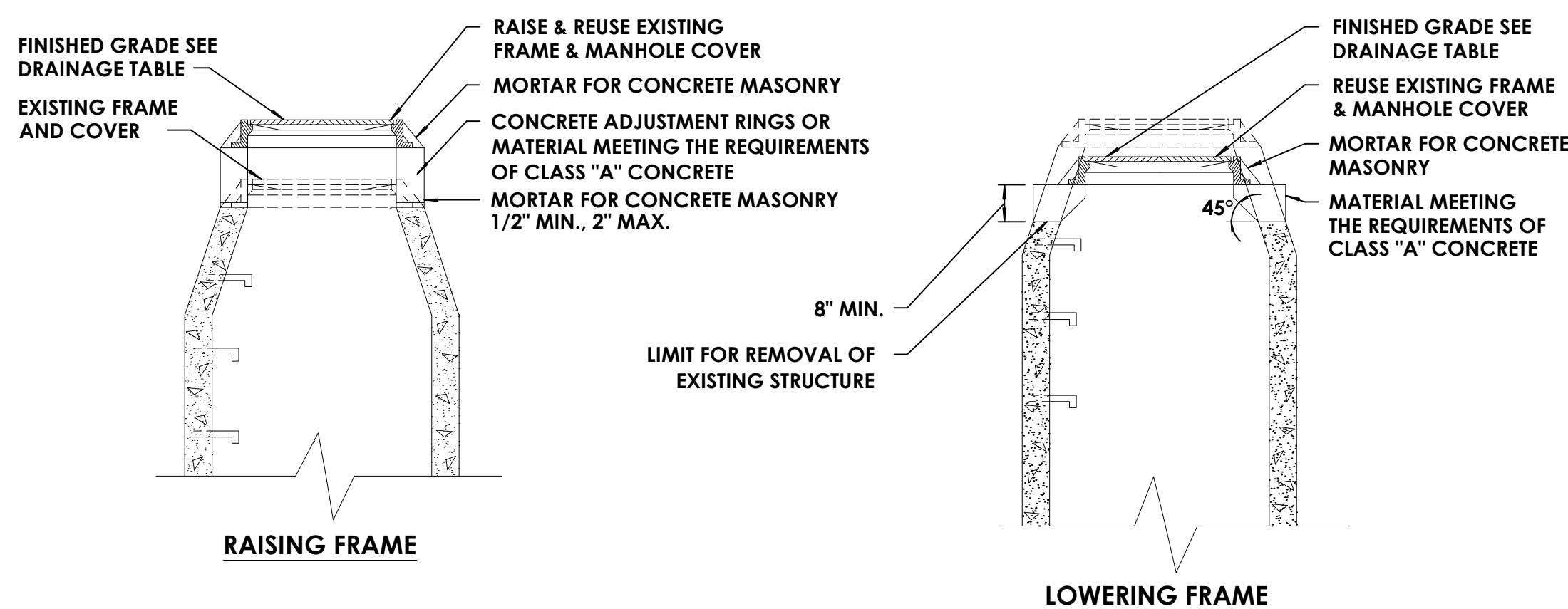


LATERAL CONNECTION



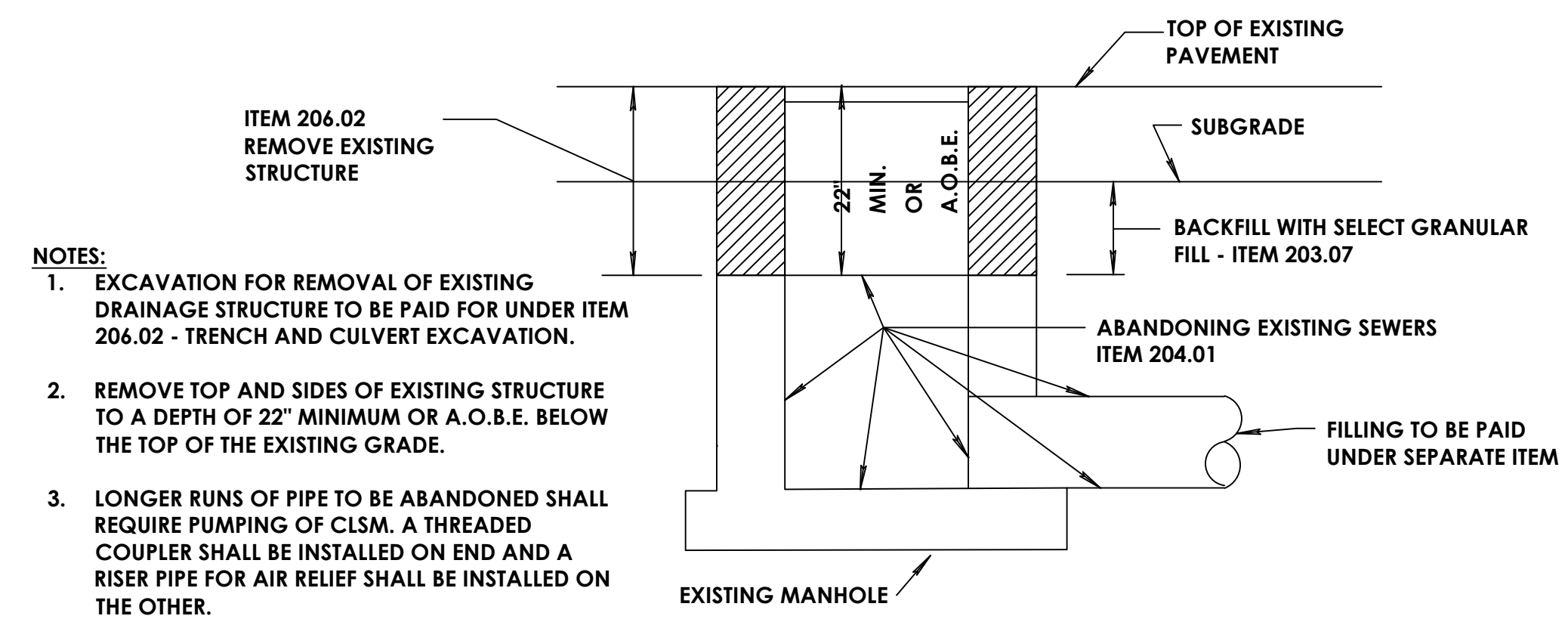
- NOTES:**
- INTERIOR (AND EXTERIOR WHERE APPLICABLE) OF REBUILT WALLS SHALL BE COATED WITH TWO COATS OF EPOXY RESIN DAMP PROOFING. DRILL AND GROUT #5 BAR DOWELS, 3 PER SIDE MINIMUM, WITH 6" MINIMUM EMBEDMENT INTO OLD AND NEW CONCRETE.
 - ALL EXISTING CONCRETE SURFACES THAT WILL BE IN CONTACT WITH NEW CONCRETE SHALL BE COATED WITH EPOXY POLYSULFIDE GROUT PER NYSOT SPECIFICATIONS 721-03. COST OF THIS WORK TO BE INCLUDED IN THE PRICE BID FOR ITEM 604.070401. THE UNIT PRICE BID SHALL INCLUDE THE COST OF: REMOVAL AND RESETTING OF THE FRAME, CLEANING EXISTING CATCH BASIN OR MANHOLE.
 - DISPOSING ALL DEBRIS, EXCAVATION AND BACKFILL, AND FURNISHING ALL LABOR, MATERIAL AND EQUIPMENT NECESSARY TO COMPLETE THE WORK.

ALTER EXISTING DRAINAGE STRUCTURES



- NOTES:**
- INTERIOR (AND EXTERIOR WHERE APPLICABLE) OF REBUILT WALLS SHALL BE COATED WITH (2) COATS OF EPOXY RESIN DAMP PROOFING.
 - ALL EXISTING CONCRETE SURFACES THAT WILL BE IN CONTACT WITH NEW CONCRETE SHALL BE COATED WITH EPOXY POLY SULFIDE GROUT PER NYSOT SPECIFICATION 721-03. COST OF THIS WORK SHALL BE INCLUDED IN PRICE BID FOR ITEM 604.070402.
 - THE UNIT PRICE BID SHALL INCLUDE THE COST OF: REMOVAL AND RESETTING OF THE FRAME, CLEANING EXISTING CATCH BASIN OR MANHOLE, DISPOSING ALL DEBRIS, EXCAVATION AND BACKFILL, AND FURNISHING ALL LABOR, MATERIAL AND EQUIPMENT NECESSARY TO COMPLETE THE WORK.
 - THE MANHOLE CASTINGS SHALL BE REMOVED AND CLEANED OF ALL EXTRANEIOUS MATERIAL. BRICK AND MORTAR LEVELING COURSES SHALL BE CONSTRUCTED TO ACCOMMODATE THE NEW FINISH GRADE. THE CASTING AND NEW BRICK ADJUSTMENT OR CONCRETE RINGS SHALL BE ENCASED WITHIN A MINIMUM 8" THICK CONCRETE. THIS ENCASEMENT SHALL EXTEND A MINIMUM OF 12" OUTSIDE THE EXISTING CASTING WITH THE TOP OF THE CONCRETE ENCASEMENT BEING 1 1/2" BELOW FINISHED GRADE.

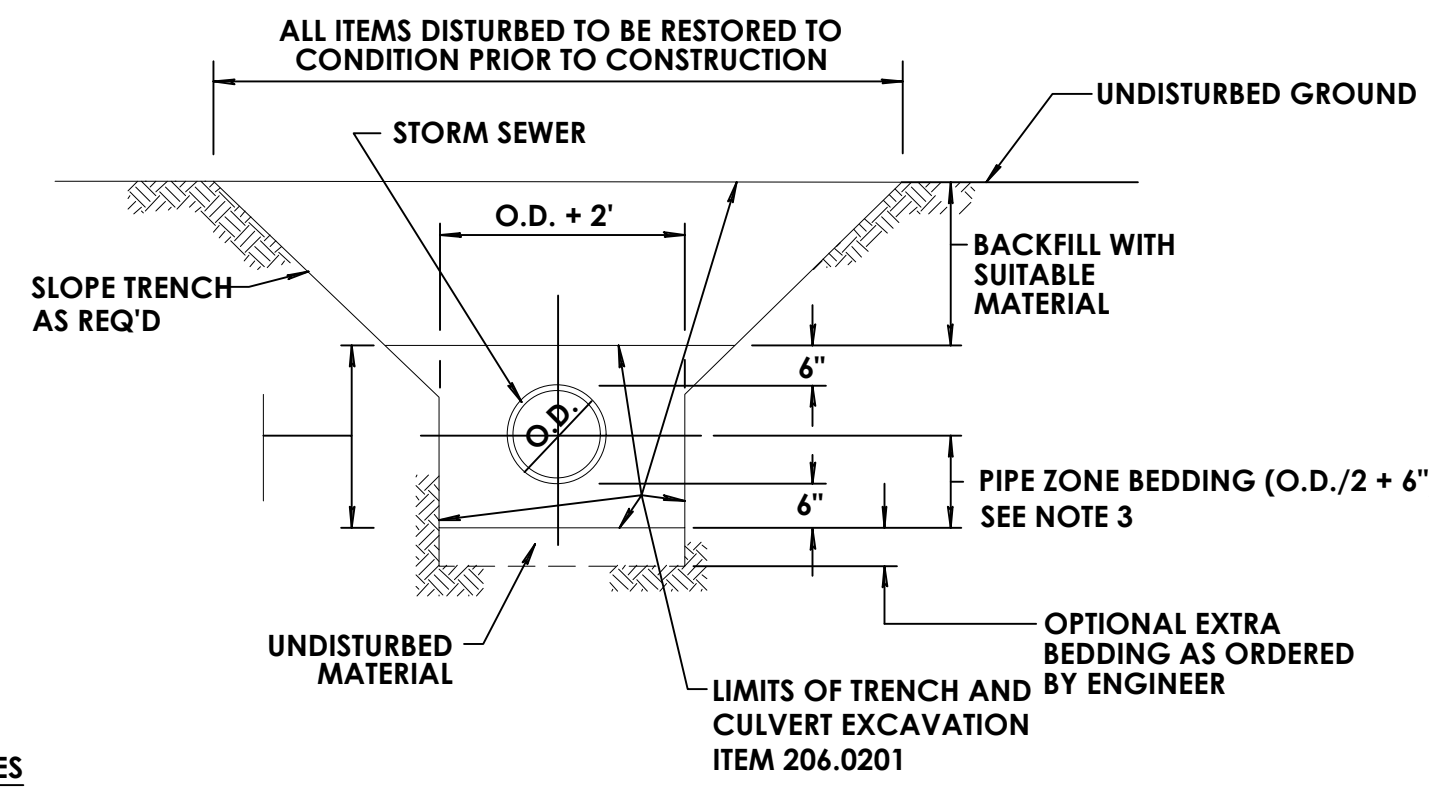
ALTER EXISTING MANHOLE



- NOTES:**
- EXCAVATION FOR REMOVAL OF EXISTING DRAINAGE STRUCTURE TO BE PAID FOR UNDER ITEM 206.02 - TRENCH AND CULVERT EXCAVATION.
 - REMOVE TOP AND SIDES OF EXISTING STRUCTURE TO A DEPTH OF 22" MINIMUM OR A.O.B.E. BELOW THE TOP OF THE EXISTING GRADE.
 - LONGER RUNS OF PIPE TO BE ABANDONED SHALL REQUIRE PUMPING OF CLSM. A THREADED COUPLER SHALL BE INSTALLED ON END AND A RISER PIPE FOR AIR RELIEF SHALL BE INSTALLED ON THE OTHER.

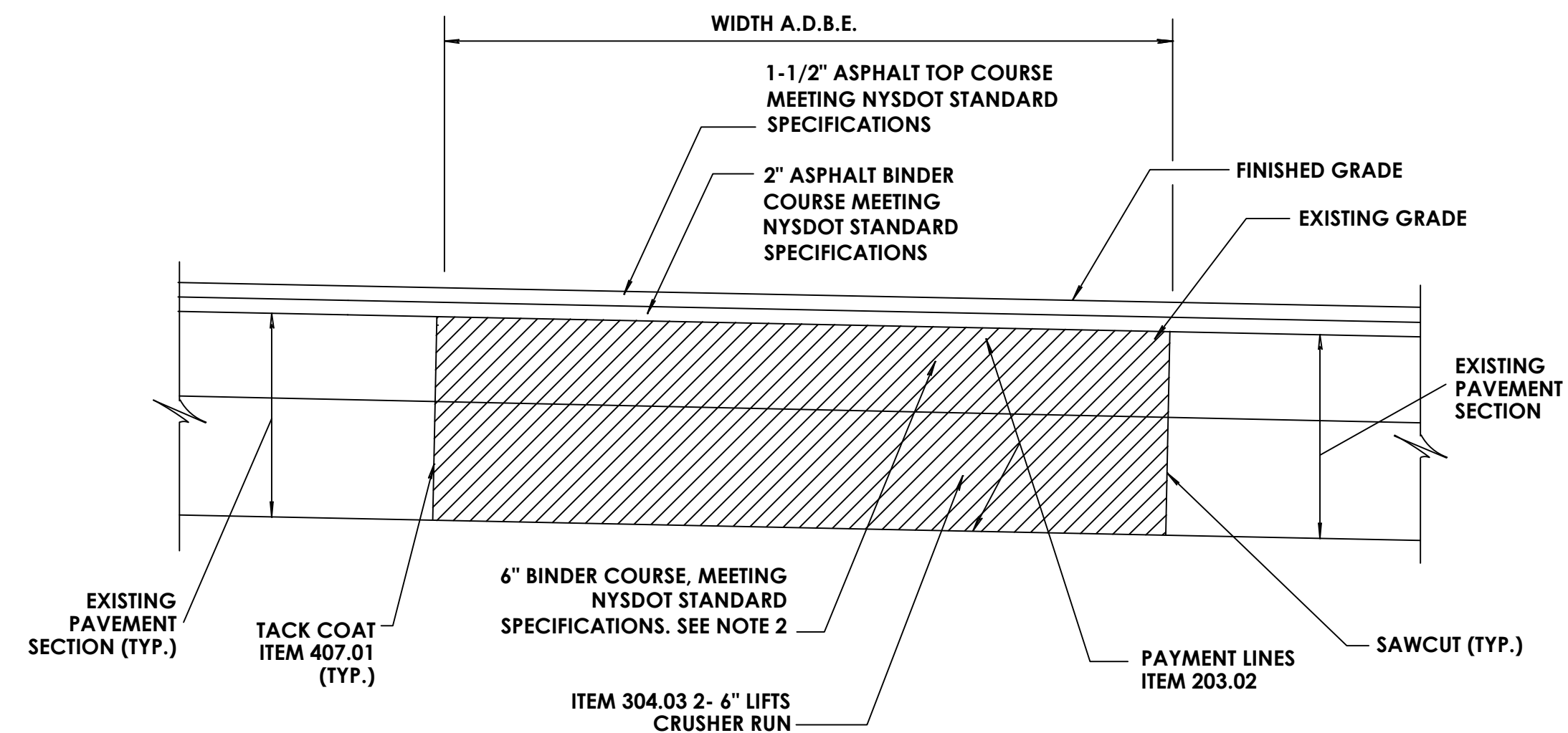
PLUGGING ABANDONED STORM MANHOLE

CONSULTANT		DEPARTMENT OF TRANSPORTATION	
Consultant Address: Rochester, New York XXXX		50 WEST MAIN STREET, SUITE 6100 ROCHESTER, NEW YORK 14614-1231	
(585) 867-5309 Fax: (585) 867-5309		UNAUTHORIZED ALTERATION OR ADDITION TO THIS DRAWING IS A VIOLATION OF THE NEW YORK STATE EDUCATION LAW ARTICLE 145, SECTION 7209	
PROJECT NAME	COUNTY ROAD #	PROJECT LIMITS	TOWN
PROJECT NO.		TOWN	CAPITAL PROJECT NO.
			XXXX-XX
PROJECT MANAGER:		DRAFTER:	
MANAGER		DRAFTER	
SCALE: NOT TO SCALE		DATE ISSUED: DATE	
DRAWING NO.		2 OF XX	



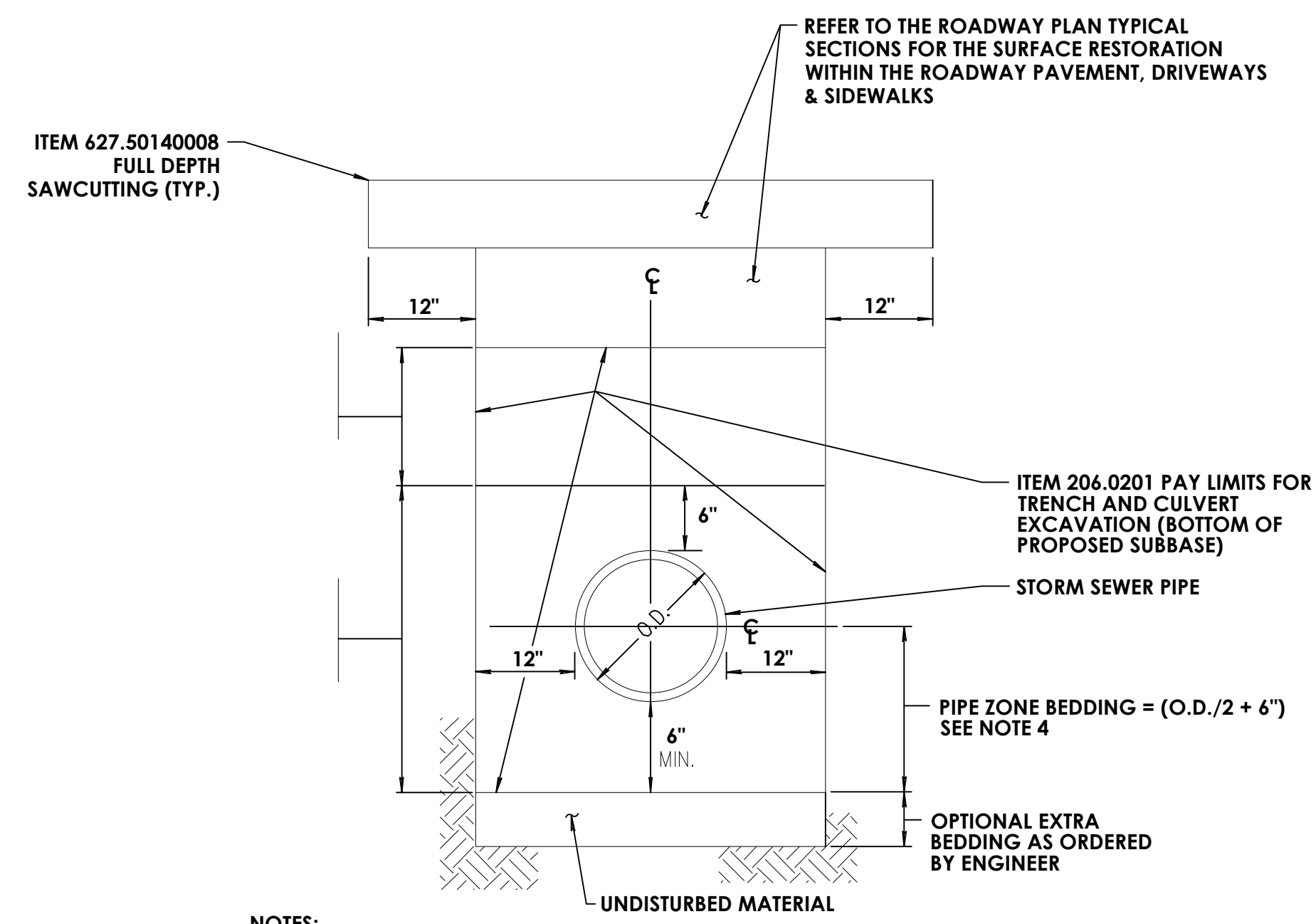
- NOTES**
1. SLOPE, SHEETING & BRACING PER OSHA SPECIFICATIONS. TRENCH SHIELD OR SHEETING TO BE LIFTED ABOVE THE SPRING LINE.
 2. WHERE STORM SEWER CROSSES PREVIOUSLY INSTALLED SANITARY SEWER, WATER OR GAS MAIN, ETC. TRENCH SHALL BE EXCAVATED DOWN TO THE PREVIOUSLY LAID UTILITY AND BACKFILLED WITH #2 CRUSHED STONE COMPACTED IN 6" LIFTS TO INSURE ADEQUATE SUPPORT.
 3. 6" STONE BEDDING, CONSISTING OF A BLENDING OF #1 AND #2 STONE, IS REQUIRED FOR SANITARY AND STORM SEWER INSTALLATIONS WITH CRUSHED STONE HAUNCHING TO A MINIMUM OF ONE-HALF OF THE PIPE DIAMETER ON THE SIDE OF THE PIPE. PAYMENT TO BE INCLUDED UNDER ITEM 203.07 SELECT GRANULAR FILL.

STORM SEWER TRENCH IN GRASS AREA



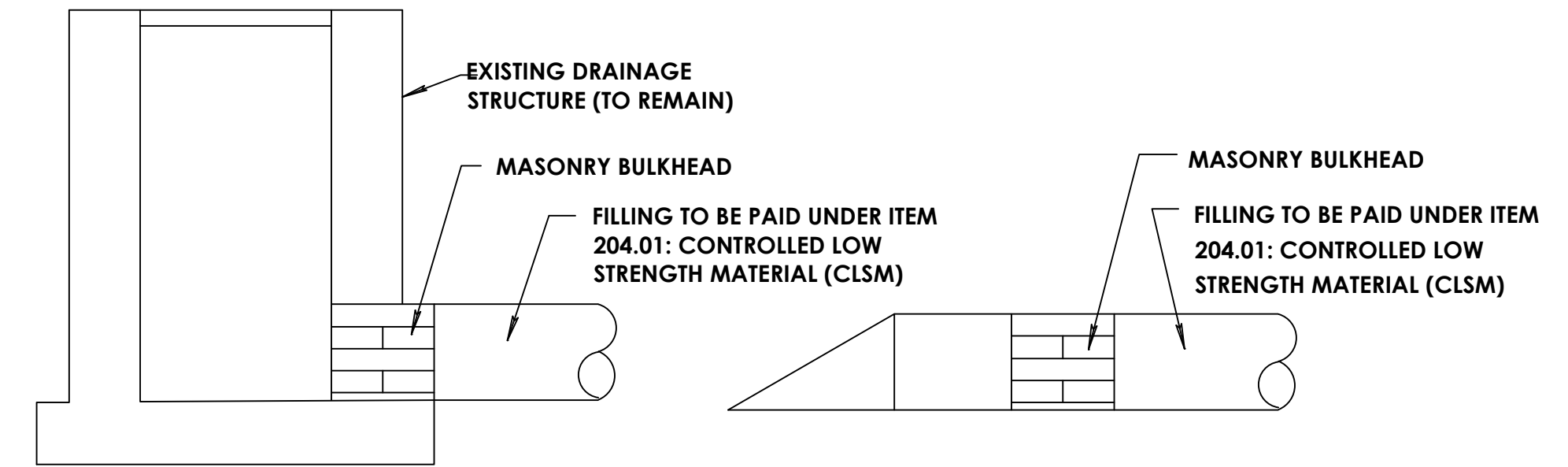
- NOTES:**
1. FINAL LOCATIONS AND DIMENSIONS OF FULL DEPTH REPLACEMENT AREAS TO BE DETERMINED IN THE FIELD BY THE ENGINEER
 2. PLACE 6" OF BASE COURSE OF ASPHALT IN TWO 3" LIFTS

TRENCH REPLACEMENT - FULL DEPTH WITH ASPHALT OVERLAY

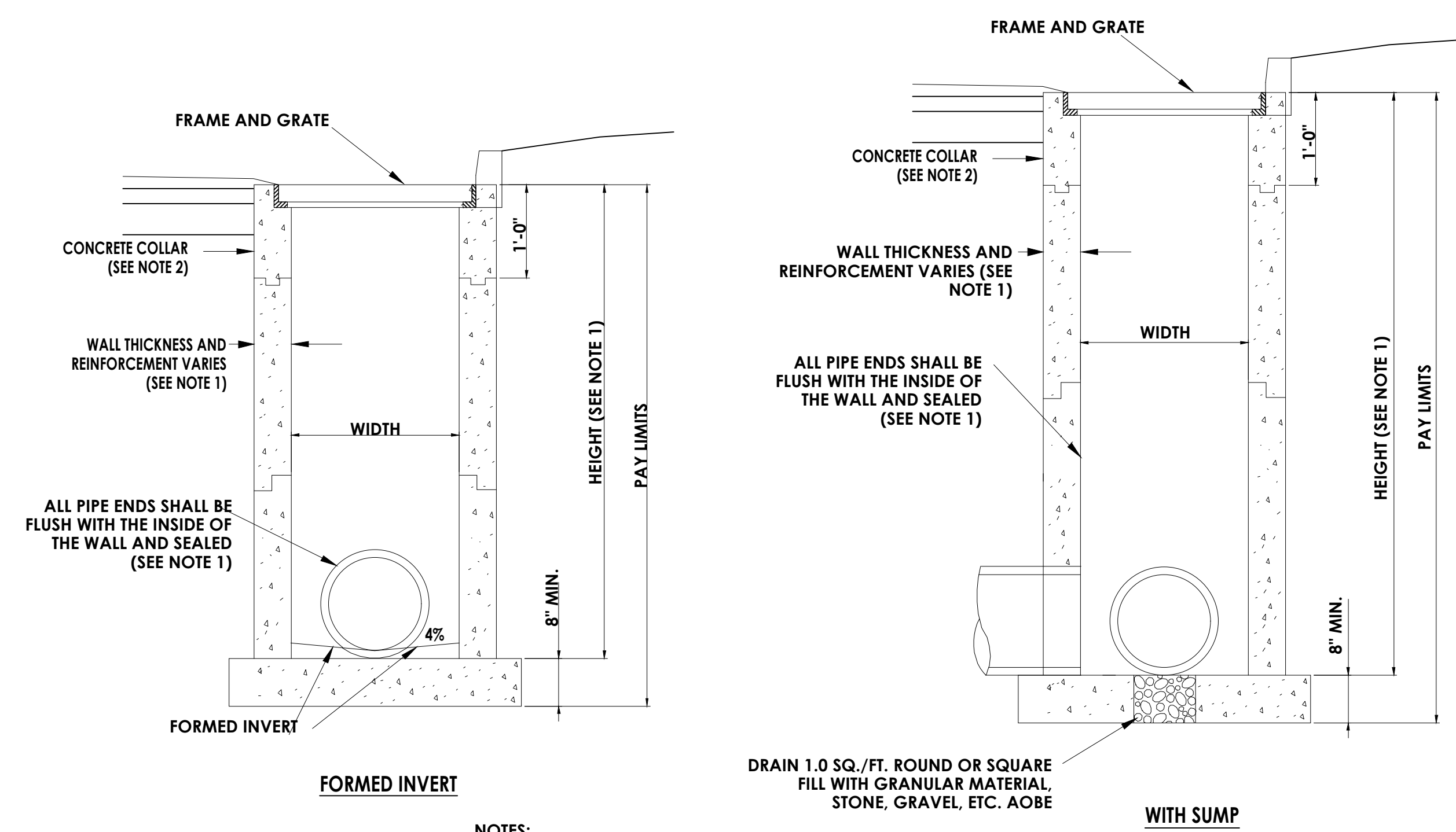


- NOTES:**
1. REMOVE EXISTING PAVEMENT AND SUBBASE UNDER ITEM 203.02. WHERE SEWER IS INSTALLED PRIOR TO BOX OUT, THE UPPER PAY LIMIT FOR ITEM 206.0201 SHALL BE EXISTING GROUND. BACKFILL WILL BE MADE WITH ITEM 203.07 TO THE BOTTOM OF TEMPORARY PAVEMENT, OR TO THE BOTTOM OF SUBBASE.
 2. SLOPE SHEETING & BRACING PER OSHA, SPECIFICATION. TRENCH SHIELD OR SHEETING TO BE LIFTED ABOVE THE SPRING LINE.
 3. WHERE STORM SEWER CROSSES PREVIOUSLY INSTALLED SANITARY SEWER, WATER OR GAS MAIN, ETC. TRENCH SHALL BE EXCAVATED DOWN TO THE PREVIOUSLY LAID UTILITY AND BACKFILL WITH #2 CRUSHED STONE COMPACTED IN 6" LIFTS TO INSURE ADEQUATE SUPPORT.
 4. 6" STONE BEDDING, CONSISTING OF A BLENDING OF #1 AND #2 STONE, IS REQUIRED FOR SANITARY AND STORM SEWER INSTALLATIONS WITH CRUSHED STONE HAUNCHING TO A MINIMUM OF ONE-HALF OF THE PIPE DIAMETER ON THE SIDE OF THE PIPE. PAYMENT TO BE INCLUDED UNDER ITEM 203.07 SELECT GRANULAR FILL.

STORM SEWER TRENCH IN PAVED AREA



ABANDONING EXISTING STORM SEWER



- NOTES:**
1. REFER TO NYSDOT STANDARD SHEETS 604-02 FOR ADDITIONAL REQUIREMENTS.
 2. FOR DETAILS OF CONCRETE COLLAR IN LAWN AREAS SEE NYSDOT STANDARD SHEETS. FOR INSTALLATION IN PAVEMENT, SEE ADDITIONAL DETAILS ON THIS DRAWING.

DRAINAGE STRUCTURES - PAY LIMITS / INVERTS

NO.	DATE	BY:	REVISION

CONSULTANT
 Consultant Address: (585) 867-5309
 Rochester, New York XXXX Fax: (585) 867-5309

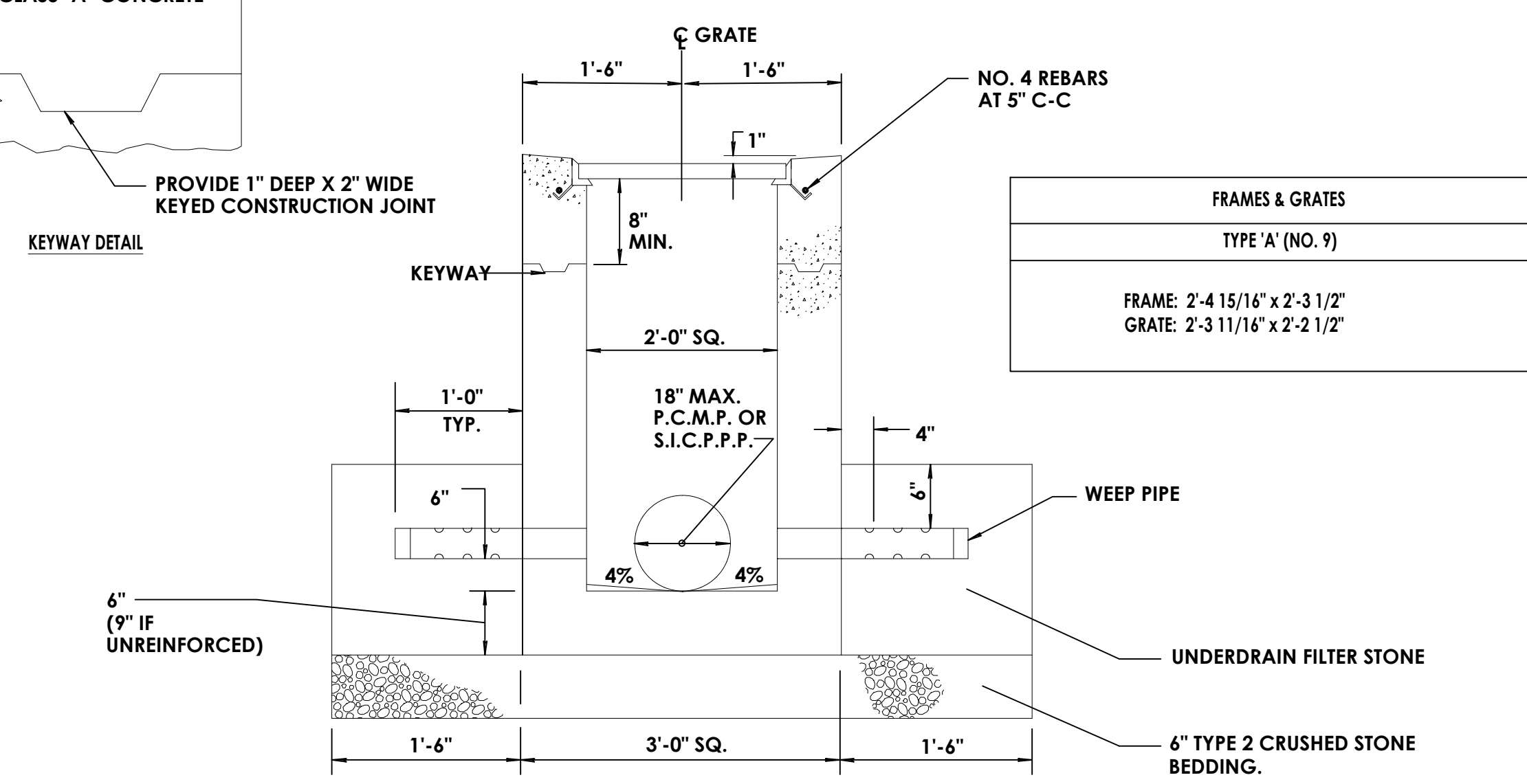
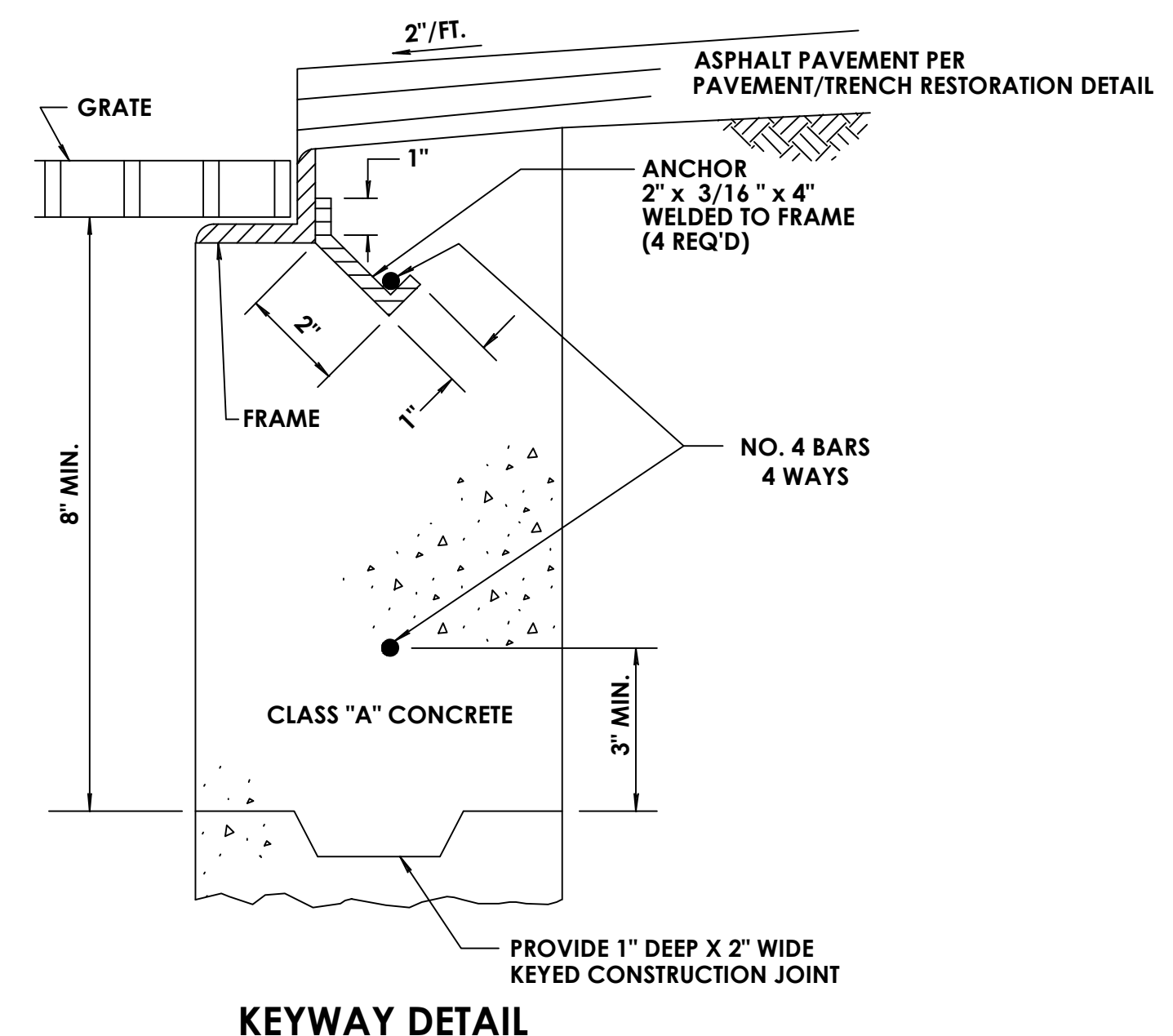
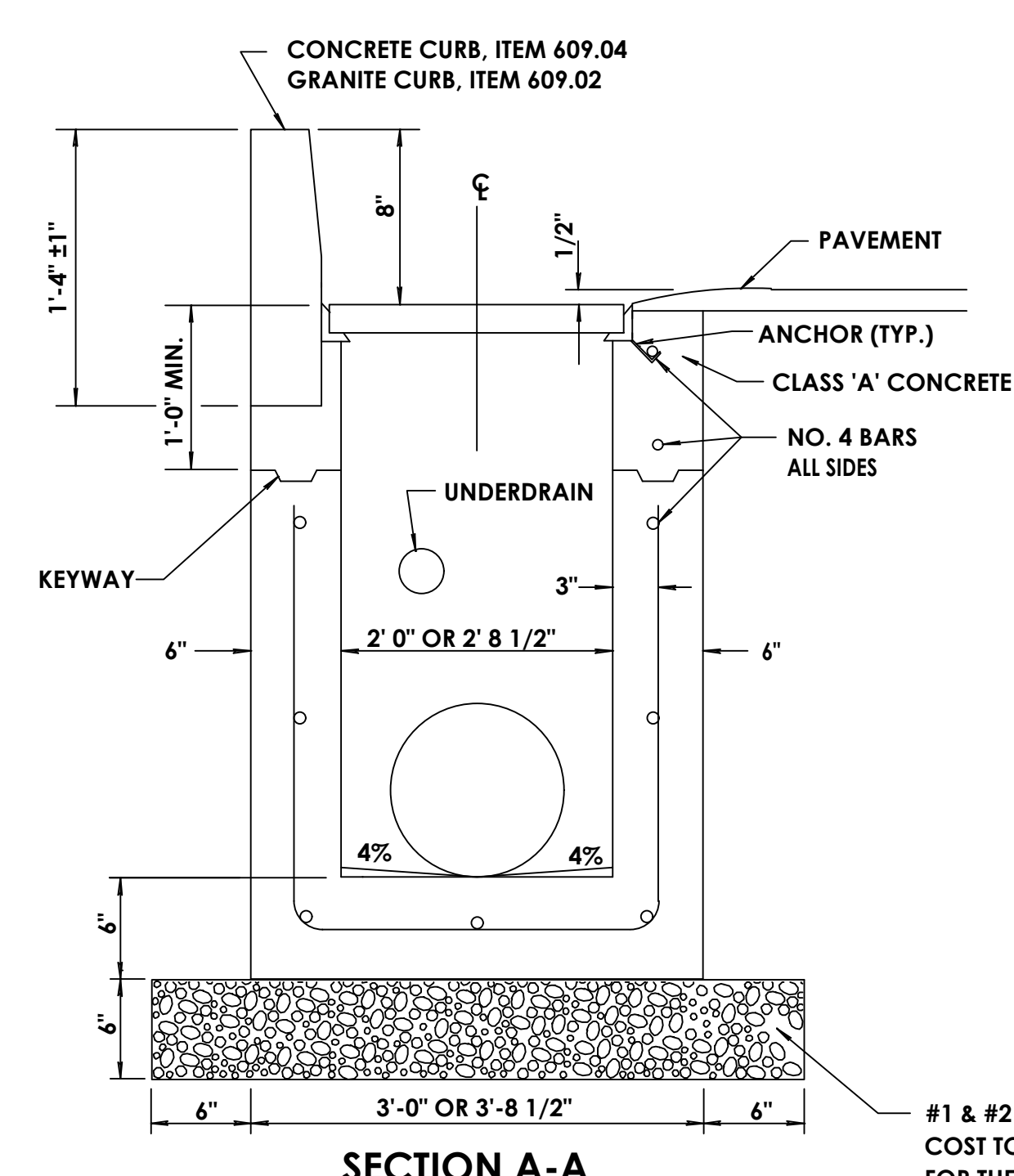
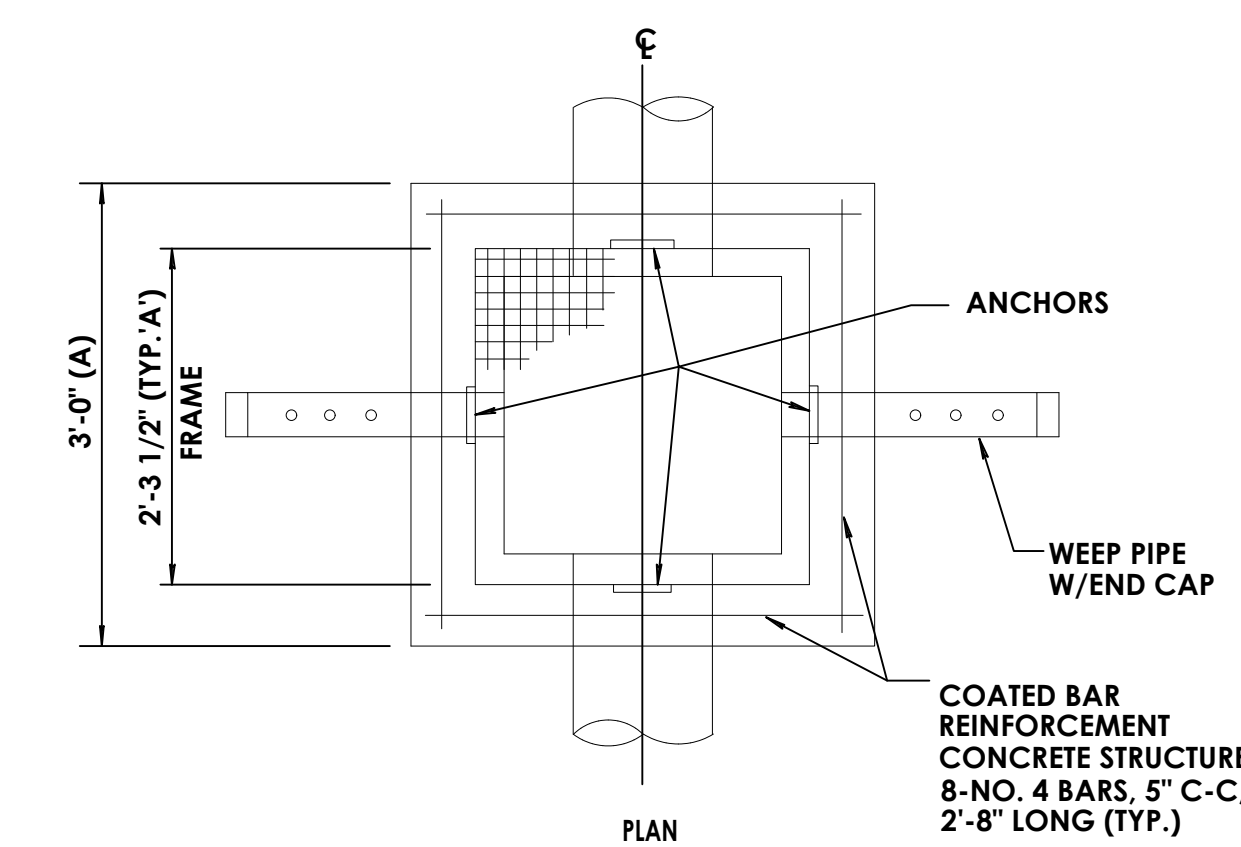
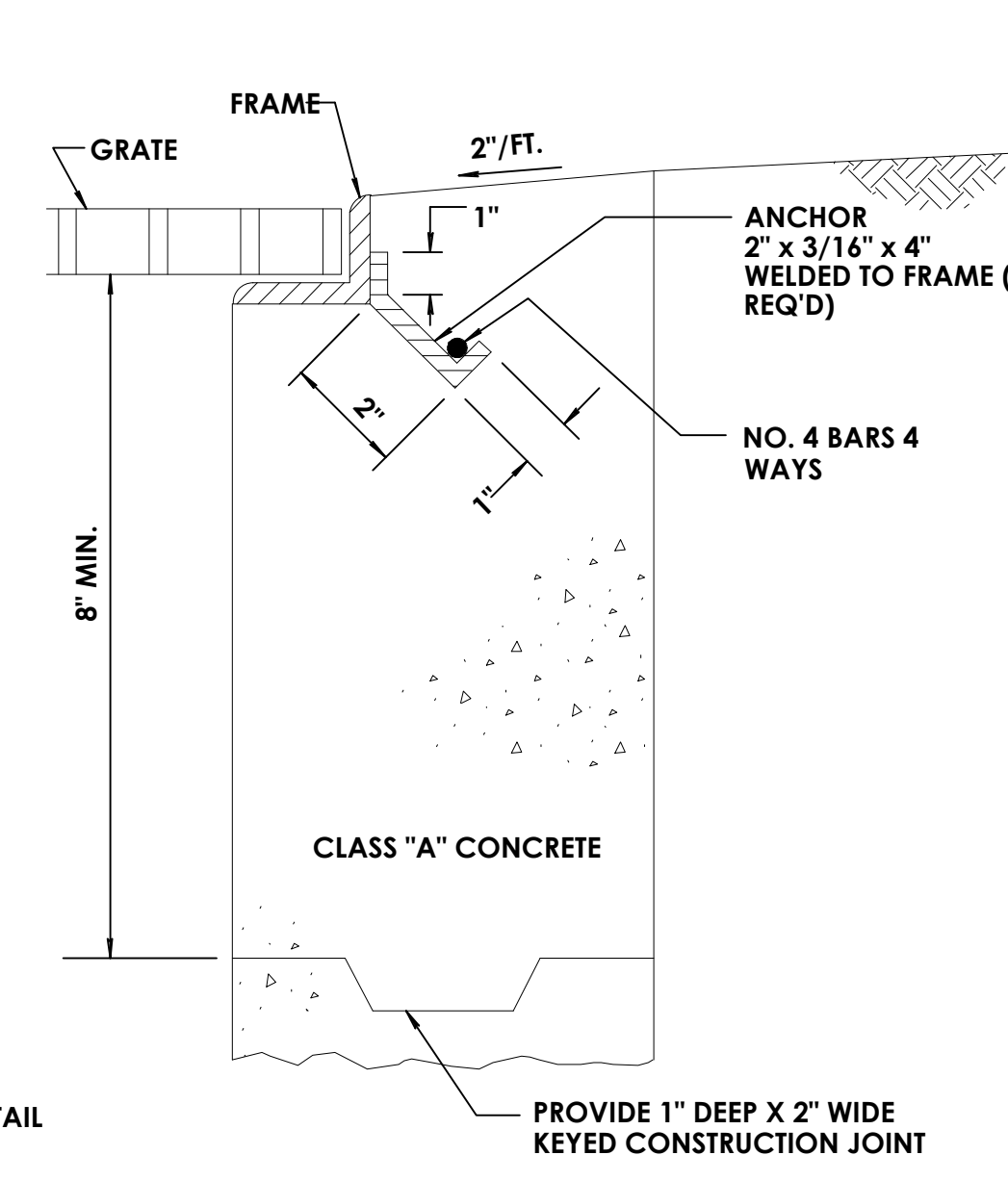
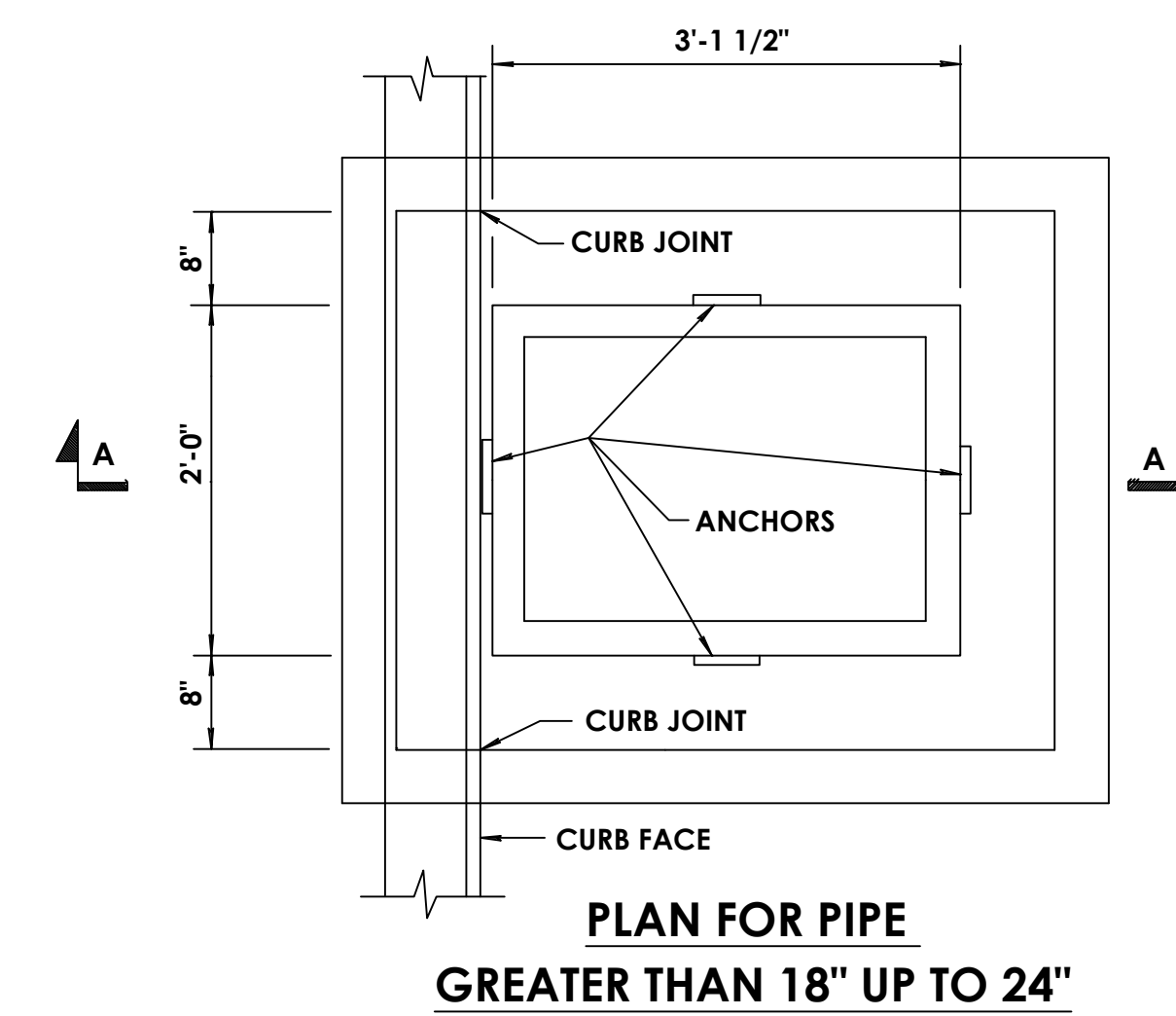
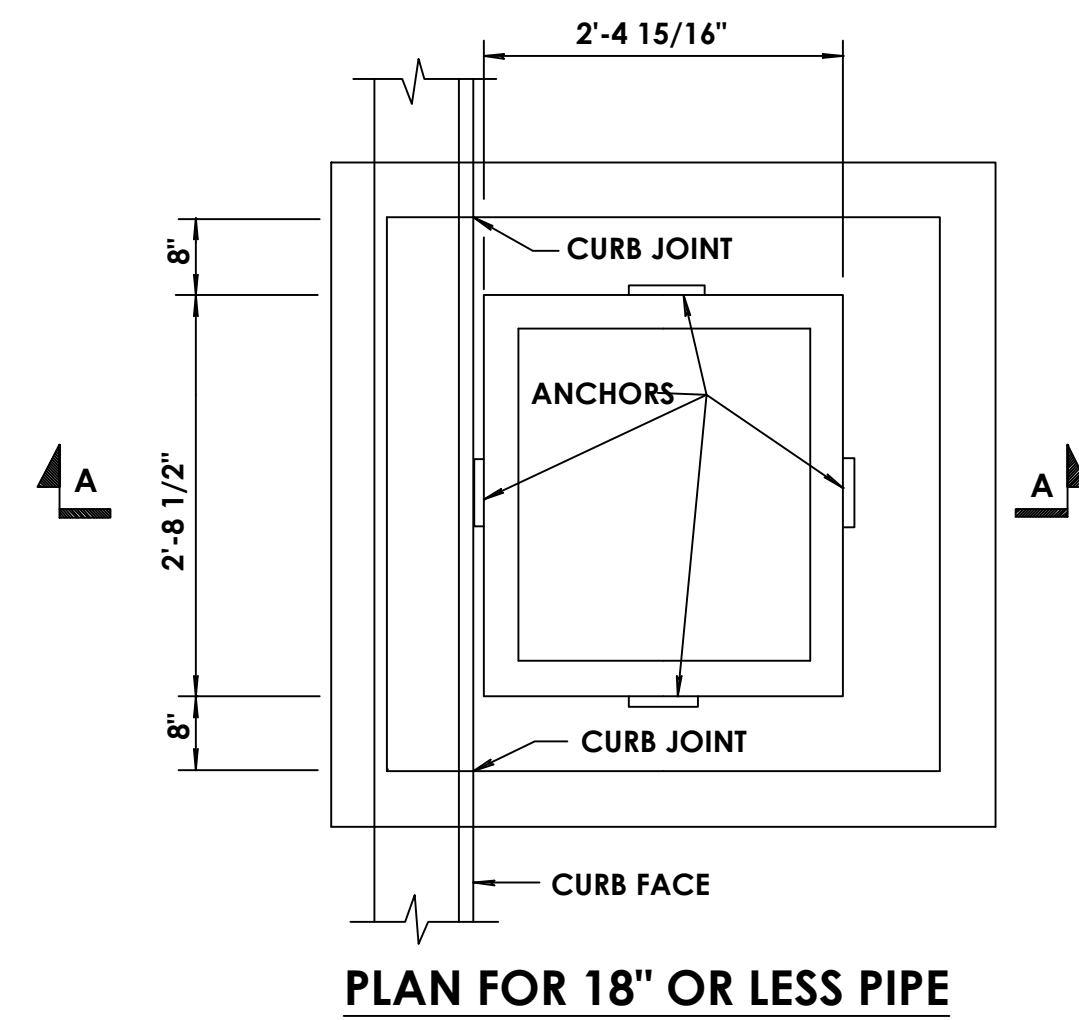
PROJECT MANAGER: MANAGER
 DRAWN BY: DRAFTER

DEPARTMENT OF TRANSPORTATION
 50 WEST MAIN STREET, SUITE 6100
 ROCHESTER, NEW YORK 14614-1231
 UNAUTHORIZED ALTERATION OR ADDITION TO THIS DRAWING IS A VIOLATION OF THE NEW YORK STATE EDUCATION LAW ARTICLE 145, SECTION 7209

COUNTY ROAD	#
PROJECT NAME	LIMITS
PROJECT LIMITS	TOWN
CAPITAL PROJECT NO.	XXXX-XX

DRAINAGE

SCALE: NOT TO SCALE
 DATE ISSUED: DATE
 DRAWING NO.
 3 OF XX



- NOTES:**
- ITEM 655.1111 WELDED FRAME & RETICULINE GRATE 11 - SEE N.Y.S.D.O.T. STANDARD SHEET 655-04.
 - REINFORCEMENT SHALL HAVE A COVER OF 2" UNLESS OTHERWISE SHOWN. THE COST OF ALL BAR REINFORCEMENT SHALL BE INCLUDED IN THE PRICE BID FOR DROP INLETS. ALL BAR REINFORCEMENT IN THE PRE CAST STRUCTURE SHALL BE ACCORDING TO NYSDOT STANDARD SHEET 604-5.
 - ALL CONCRETE FOR DROP INLETS SHALL BE CLASS "A". BENCHES SHALL BE CAST-IN-PLACE COST TO BE INCLUDED IN DROP INLET ITEM.
 - FILL WITH CEMENT MORTAR AND SEAL WITH ASPHALT EMULSION TACK COAT BETWEEN FRAME AND CURB. PAYMENT SHALL BE INCLUDED IN APPROPRIATE CURB ITEM.
 - EXTERIORS OF ALL DROP INLETS TO BE COATED WITH TWO COATS OF HIGH BUILD COAL TAR PAINT. AFTER INSTALLATION IS COMPLETE AND THE BENCH IS INSTALLED, THE INTERIOR OF ALL DROP INLETS SHALL BE COATED WITH TWO COATS OF EPOXY RESIN DAMP PROOFING.
 - ALL PIPE CONNECTION TO STRUCTURE SHALL BE SEALED WITH 100% MORTAR.
 - REFER TO FRAME AND GRATE ANCHOR DETAIL.
 - STEPS WILL NOT BE ALLOWED.

- NOTES:**
- FOR ADDITIONAL DATA AND DETAILS OF RECTANGULAR AND RETICULINE TYPES OF FRAMES & GRATES, SEE N.Y.S.D.O.T. STANDARD SHEET 655-01.
 - WEEP PIPES SHALL BE INSTALLED ON ALL WALLS WITHOUT PIPE CONNECTIONS OR A.D.B.E. AND ONLY WHEN UNDERDRAIN IS NOT USED AND SHALL BE EITHER:
 - 6" CORRUGATED METAL UNDERDRAIN PERFORATED PIPE.
 - 6" POLYETHYLENE CORRUGATED PERFORATED UNDERDRAIN TUBING.
 - WHEN APPLICABLE EXTERIORS OF ALL DROP INLETS SHALL BE COATED WITH TWO COATS OF HIGH BUILD COAL TAR PAINT. AFTER INSTALLATION IS COMPLETE AND THE BENCH IS INSTALLED, THE INTERIOR OF ALL DROP INLETS SHALL BE COATED WITH TWO COATS OF EPOXY RESIN DAMP PROOFING.
 - WALL THICKNESS SHALL BE 6" IF REINFORCED, 8" IF UNREINFORCED. ALL PIPE CONNECTIONS SHALL BE MADE WITH 100% MORTAR.
 - CLASS "A" CONCRETE IS TO BE USED. ALL PIPE CONNECTIONS SHALL BE MADE WITH 100% MORTAR.
 - ANY CONNECTIONS TO SIDES WITH NO KNOCK OUT MUST BE CORE-BORED OR DI REPLACED.
 - CLASS "A" CONCRETE BENCHES SHALL BE CAST-IN-PLACE ON ALL STORM DROP INLETS REGARDLESS OF PIPE DIAMETER.
 - ALL MATERIALS (PRECAST STRUCTURE, FRAME AND GRATE, STONE BEDDING, UNDERDRAIN FILTER STONE, WEEP PIPE, ETC.) TO BE INCLUDED IN THE PRICE BID FOR ITEM 604.500401. THE COST FOR EXCAVATION AND BACKFILL TO BE PAID FOR UNDER THE RESPECTIVE ITEMS.

DROP INLET TYPE "S" PRECAST AGAINST CURB

FIELD INLET MCDOT TYPE "A" PRE-CAST

CONSULTANT		DRAWN BY: DRAFTER	
Consultant Address: (585) 867-5309 Rochester, New York XXXX Fax: (585) 867-5309		PROJECT MANAGER: MANAGER PROJECT MANAGER: MANAGER	
DEPARTMENT OF TRANSPORTATION 50 WEST MAIN STREET, SUITE 6100 ROCHESTER, NEW YORK 14614-1231 <small>UNAUTHORIZED ALTERATION OR ADDITION TO THIS DRAWING IS A VIOLATION OF THE NEW YORK STATE EDUCATION LAW ARTICLE 145, SECTION 7209</small>		COUNTY ROAD # PROJECT NAME PROJECT LIMITS TOWN CAPITAL PROJECT NO. XXXX-XX	
DRAINAGE		SCALE: NOT TO SCALE	
DATE ISSUED: DATE		DRAWING NO.	
4 OF XX			